

# Backward Curved Centrifugal Fan

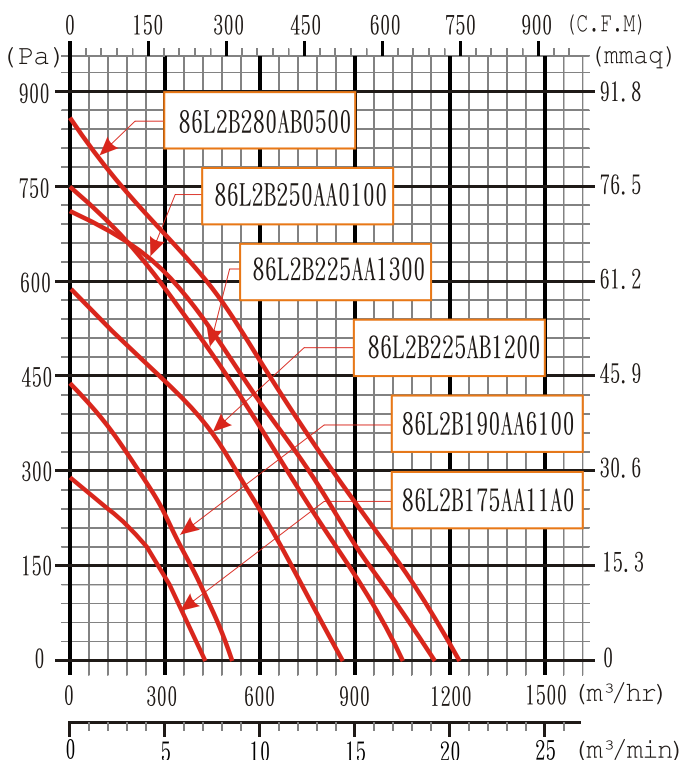
## 110V 2 & 4 Pole Performance

Ball Bearings  
 Insulation F class  
 Protection IP 44  
 Material: Steel Impeller  
 Steel Painted Black Scroll

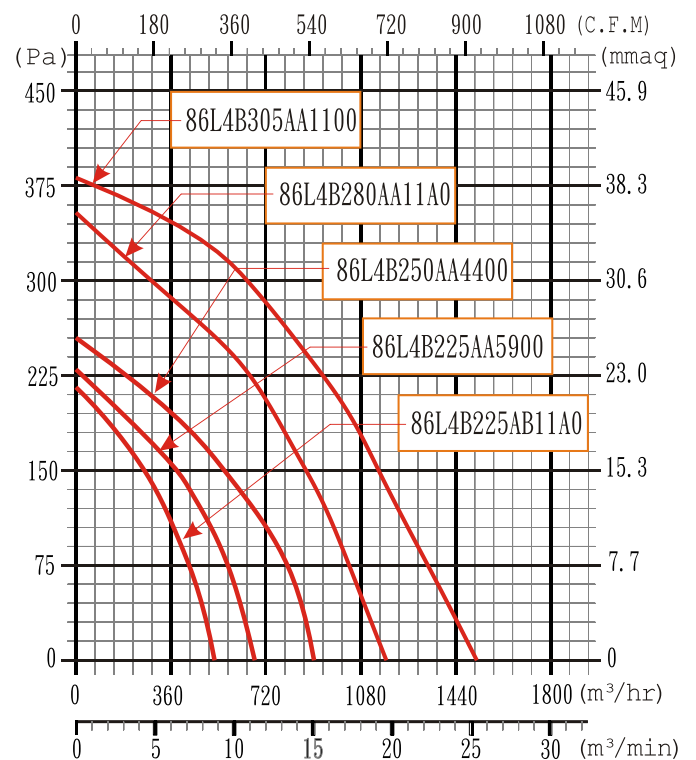


Model Type	Motor	V	Hz	M <sup>3</sup> /hr	RPm	Wi	A	μF/Vac	Pa	dB	Kg
86L2B175AA1100	812BM015	110	60	430	2650	70	0.62	8/250	0	58	1
86L2B190AA6100	812BM015	110	60	570	2385	86	0.8	8/250	0	61	1.6
86L2B225AA1300	812BM042	110	60	1050	2900	200	1.9	20/250	0	75	3.4
86L2B225AB1200	812BM025	110	60	870	2925	115	1.05	12/250	0	72	2.3
86L2B250AA0100	812BM042	110	60	1150	2200	220	2	20/250	0	76	3.1
86L2B280AB0500	812BM042	110	60	1230	2370	300	2.8	30/250	0	75	3
86L4B225AA5900	812BM025	110	60	670	1650	55	0.52	8/250	0	59	2.4
86L4B225AB11A0	812BM025	110	60	550	1700	40	0.38	6/250	0	58	2.4
86L4B250AA4400	812BM042	110	60	890	1600	70	0.7	8/250	0	64	3.4
86L4B280AA11A0	812BM042	110	60	1170	1645	145	1.34	16/250	0	67	3.8
86L4B305AB1100	812BM042	110	60	1520	1645	150	1.37	16/250	0	70	3.5

### 60Hz 2Pole



### 60Hz 4Pole



# Backward Curved Centrifugal Fan

## 220V 2 Pole Performance

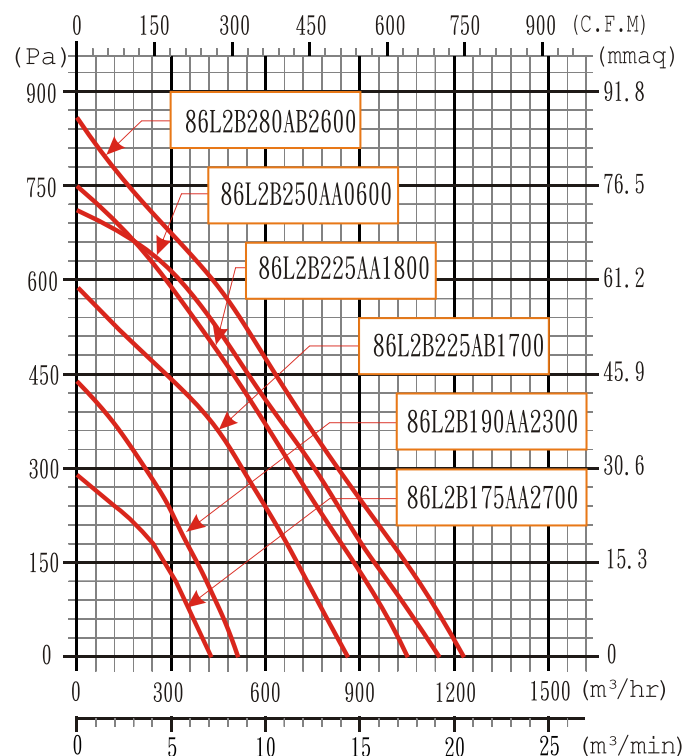
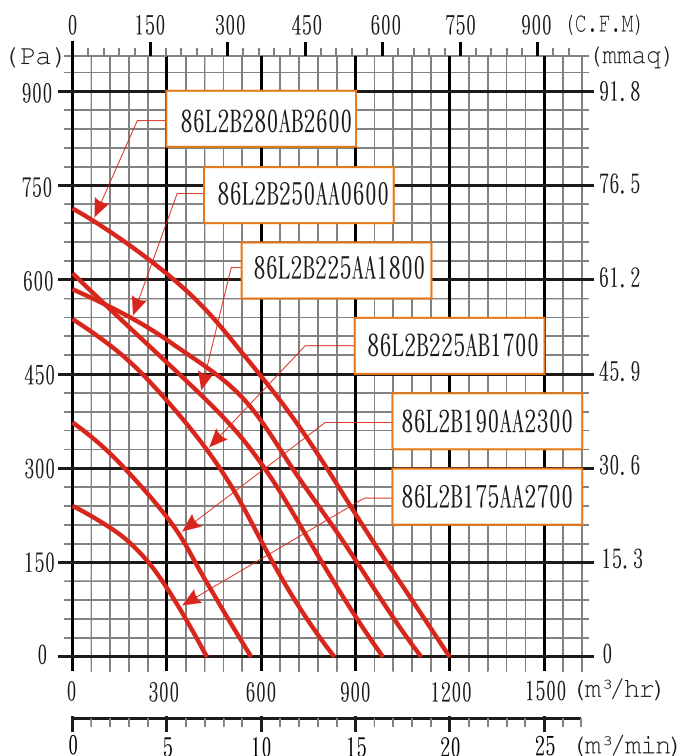
Ball Bearings  
 Insulation F class  
 Protection IP 44  
 Material: Steel Impeller  
 Steel Painted Black Scroll



Model Type	Motor	V	Hz	M <sup>3</sup> /hr	RPm	Wi	A	μF/Vac	Pa	dB	Kg
86L2B175AA2700	812BM015	220	50	410	2550	60	0.27	2/450	0	56	1.2
			60	430	2650	70	0.31		0	58	
86L2B190AA2300	812BM015	220	50	570	2410	73	0.32	2/450	0	61	2
			60	555	2385	86	0.4		0	63	
86L2B225AA1800	812BM042	220	50	980	2620	140	0.65	5/450	0	71	3.4
			60	1050	2870	200	0.92		0	75	
86L2B225AB1700	812BM025	220	50	830	2350	85	0.39	3/450	0	70	2.3
			60	870	2625	115	0.52		0	72	
86L2B250AA0600	812BM042	220	50	1100	2200	195	0.92	6/450	0	75	3.1
			60	1150	2355	250	1.15		0	76	
86L2B280AB2600	812BM042	220	50	1200	2310	234	1.08	8/450	0	73	3.5
			60	1230	2370	307	1.40		0	75	

50Hz-2Pole

60Hz-2Pole



# Backward Curved Centrifugal Fan

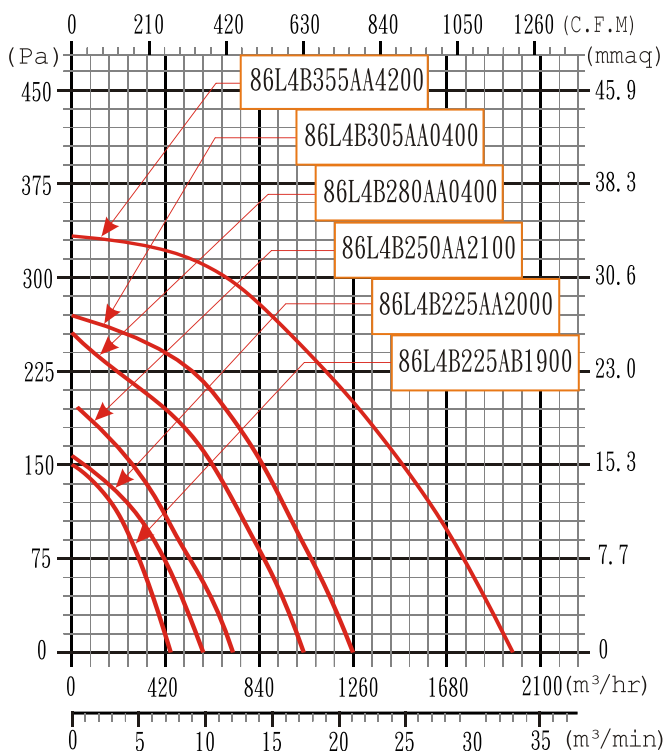
## 220V 4 Pole Performance

Ball Bearings  
 Insulation F class  
 Protection IP 44  
 Material: Steel Impeller  
 Steel Painted Black Scroll

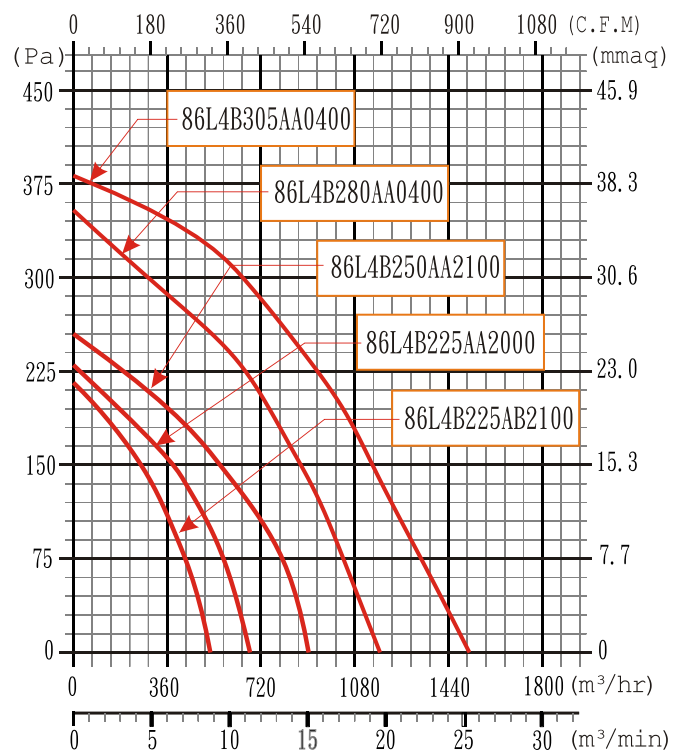


Model Type	Motor	V	Hz	M <sup>3</sup> /hr	RPm	Wi	A	μF/Vac	Pa	dB	Kg
86L4B225AA2000	814BM025	220	50	590	1440	50	0.25	2/450	0	55	3.2
			60	670	1650	55	0.26		0	59	
86L4B225AB1900	814BM025	220	50	440	1440	30	0.14	1.5/450	0	54	3
			60	550	1700	40	0.19		0	58	
86L4B250AA2100	814BM025	220	50	720	1385	60	0.3	2/450	0	61	3.2
			60	890	1600	70	0.33		0	64	
86L4B280AA0400	814BM042	220	50	1040	1390	130	0.67	4/450	0	62	3.6
			60	1170	1645	145	0.7		0	67	
86L4B305AA0400	814BM042	220	50	1260	1395	125	0.67	4/450	0	67	3.5
			60	1520	1645	150	0.67		0	70	
86L4B355AB4200	814BM060	220	50	1880	1370	160	0.73	6/450	0	66	4.3
86L4B355AB5200	814BM060	220	60	1880	1370	230	1.05	6/450	0	66	4.3

### 50Hz-4Pole

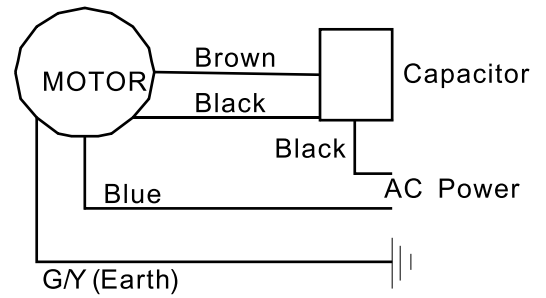
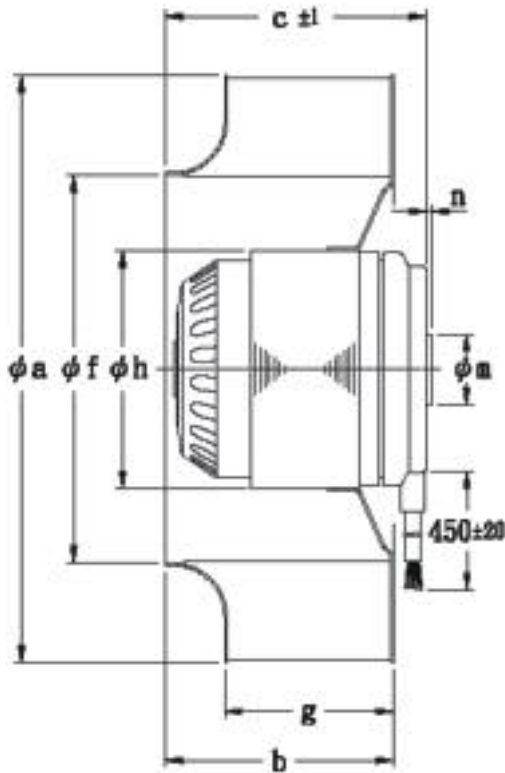


### 60Hz-4Pole

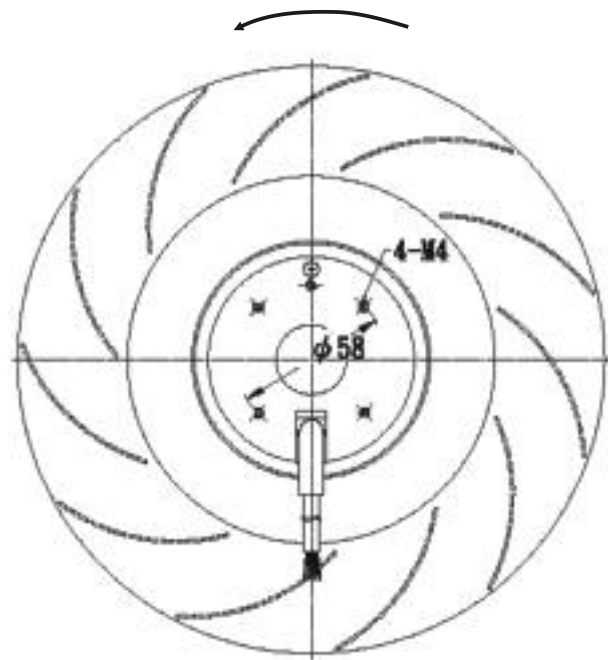


# Backward Curved Centrifugal Fan

## Outline Dimension Data



## Wiring Connection



Model	a	b	c	f	g	h	m	n
86L2B175AA	175	47	55	132	32	92	27	2
86L2B190AA	190	64	72	133	46	92	27	2
86L2B225AA	225	88	100	153	65	92	27	2
86L2B225AB	225	65	75	153	42	92	27	2
86L2B250AA	250	76	88	187	52	92	27	2
86L2B280AB	280	72	92	210	44	92	27	2
86L4B225AA	225	88	100	153	65	92	27	2
86L4B225AB	225	65	75	153	42	92	27	2
86L4B250AA	250	76	88	187	52	92	27	2
86L4B280AA	280	106	114	210	78	92	27	2
86L4B305AA	305	92	110.5	206	57	92	27	2
86L4B355AB	355	108	128	240	75	92	27	2