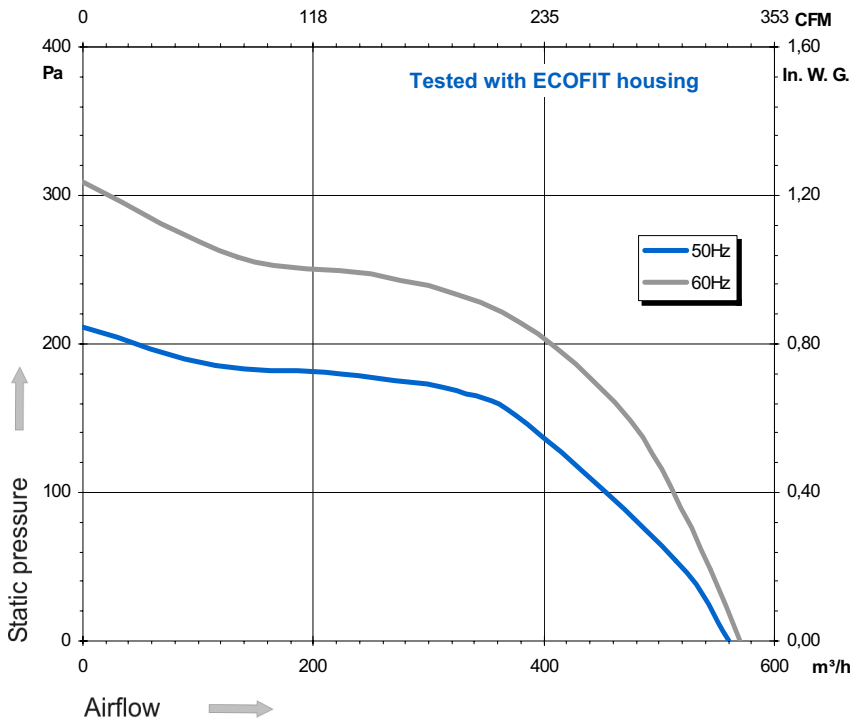
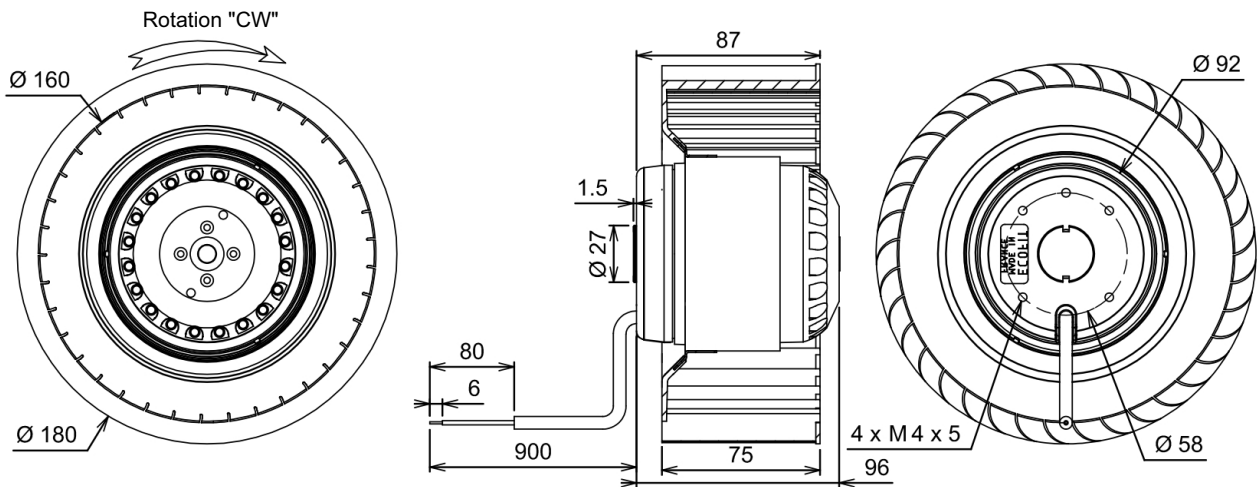


Ind. 0 - Revision : 07-2004

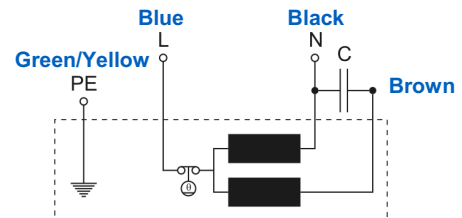
## 4TREu35 180x75R P/N C48-B4



| Voltage | Frequency | Input power | Current | Capacitor | Airflow           | Speed rotation | Noise level | Rotation direction | Operating temperature |
|---------|-----------|-------------|---------|-----------|-------------------|----------------|-------------|--------------------|-----------------------|
| V       | Hz        | Wa          | A       | µF        | m <sup>3</sup> /h | RPM            | dBA         | ↻                  | Min / Max             |
| 115     | 50        | 104         | 1,00    | 12,0      | 560               | 1 075          | 53          | R                  | -40°C / +70°C         |
| 115     | 60        | 119         | 1,09    | 12,0      | 570               | 1 085          | 53          | R                  | -40°C / +70°C         |



- Ball bearing
- Class F, thermally protected
- IP44 protection
- G2.5 balancing
- PA 6/6 UL 94 V-0 plastic impeller
- Rotor : black paint
- UL approved motor



| Capacitor for 50Hz | Capacitor for 60Hz | Zinc Coated | Inlet cone |
|--------------------|--------------------|-------------|------------|
| ND                 | ND                 | 21194-a     | 16133-a    |

Non contractual document. All specifications are subject to change without prior notice. Picture for information only.