

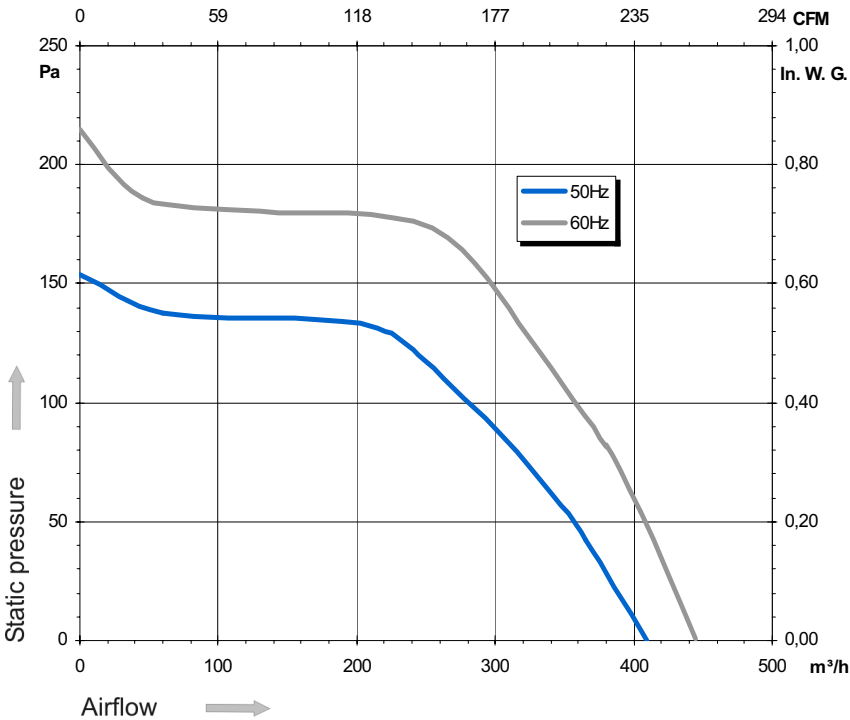
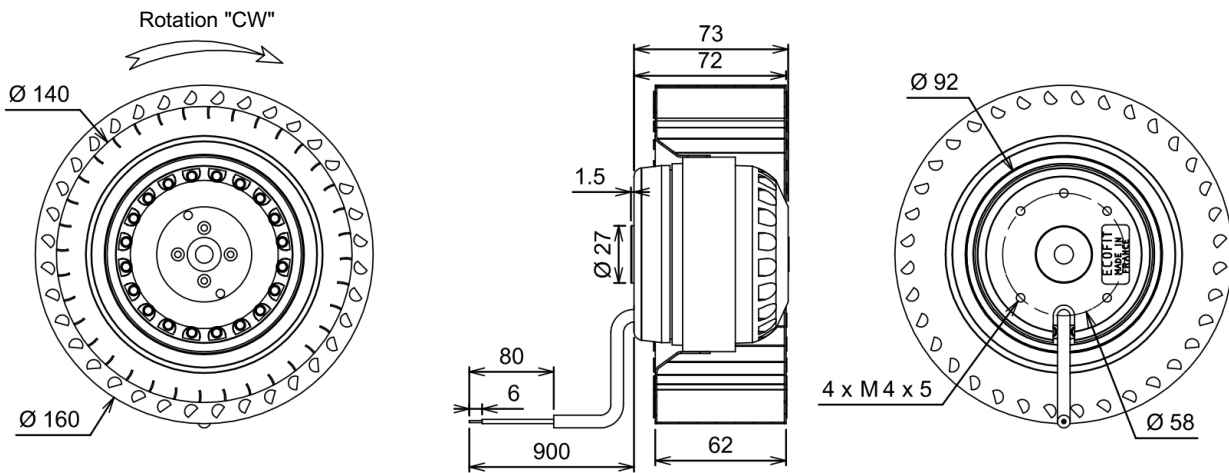
Ind. 0 - Revision : 12-2003

4TREu25 160x62R

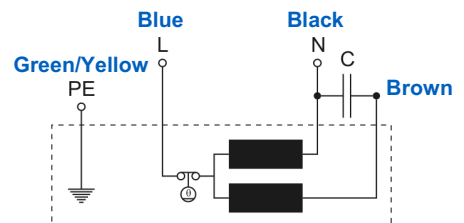
P/N C45-C1



Voltage	Frequency	Input power	Current	Capacitor	Airflow	Speed rotation	Noise level	Rotation direction	Operating temperature
V	Hz	Wa	A	µF	m³/h	RPM	dBA	↻	Min / Max
230	50	70	0,34	2,0	410	1 280	51	R	-40°C / +70°C
230	60	90	0,46	2,0	445	1 400	54	R	-40°C / +70°C



- Ball bearing
- Class F, thermally protected
- IP44 protection
- G2.5 balancing
- Galvanized steel impeller
- Rotor : black paint
- UL approved motor



Capacitor for 50Hz	Capacitor for 60Hz	Zinc Coated	Inlet cone
19217-0	19217-0	21325-0	16154-0

Non contractual document. All specifications are subject to change without prior notice. Picture for information only.