
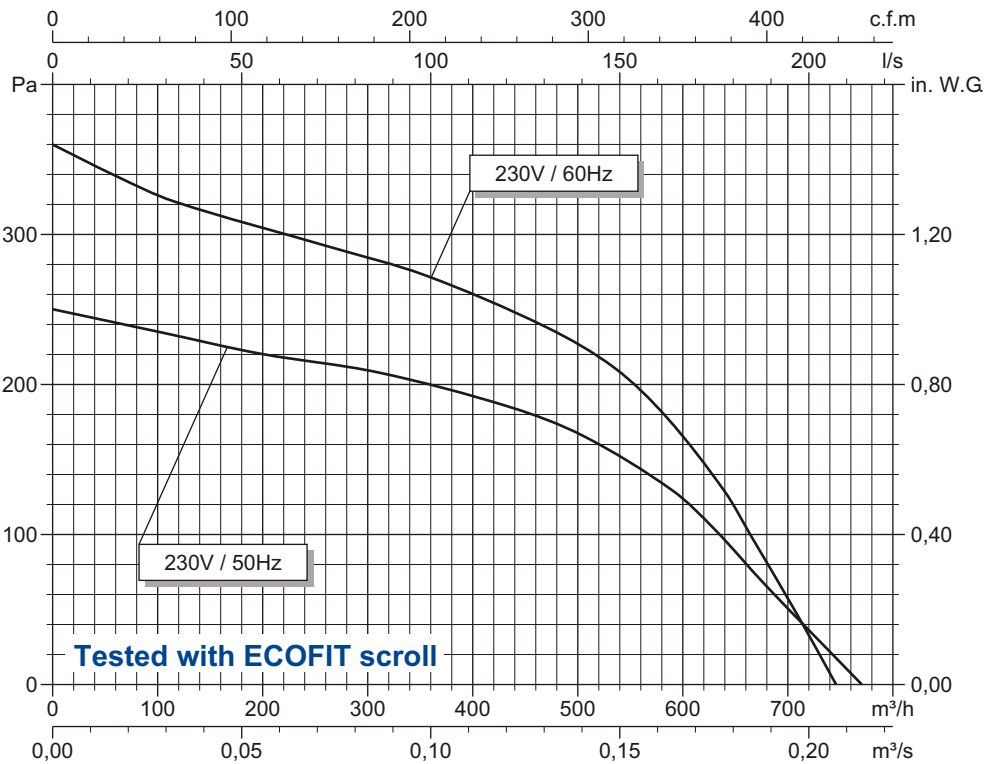
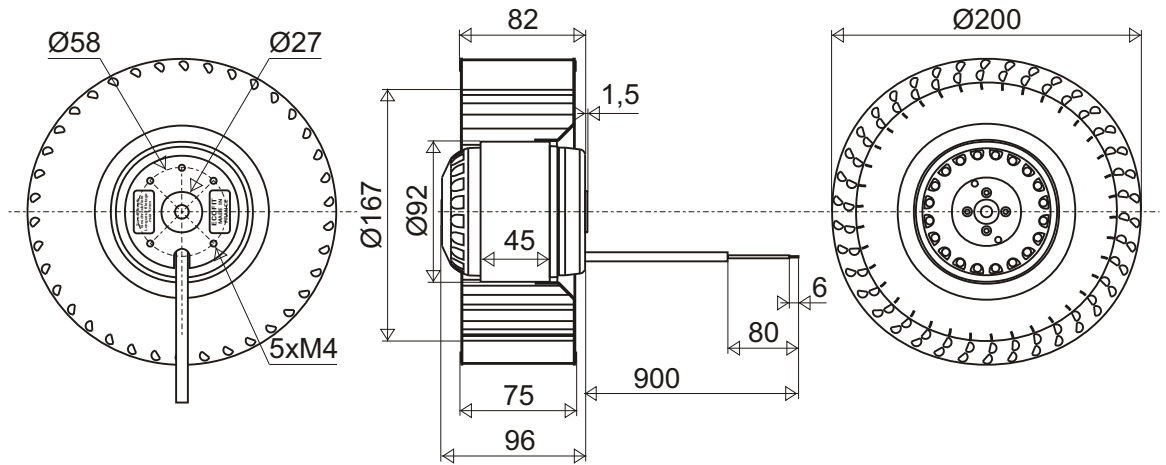


For professional use only. Please refer to the conditions of use of our catalogue.

March 2002

4TRE45 200x75R code N05-34

Voltage	Frequency	Input power	Current	Capacitor	Air flow	Rotational speed	Sound level	Direction of rotation	Max. Air temp.
V	Hz	Wa	A	µF	m ³ /h	rpm	dBA		°C
230	50	142	0,66	4	770	1170	57	R	-20 / +50
230	60	165	0,77	3,5	745	1140	57	R	-20 / +50



- Ball bearings.
- Cl.F windings protected by thermal cut-out.
- Protection IP 44.
- Balancing G2.5.
- Galvanised steel impeller.

Capacitor for 50Hz	Capacitor for 60Hz	Finguer guard	Inlet cone
19019-0	19049-0	21196-a	16009-0

