

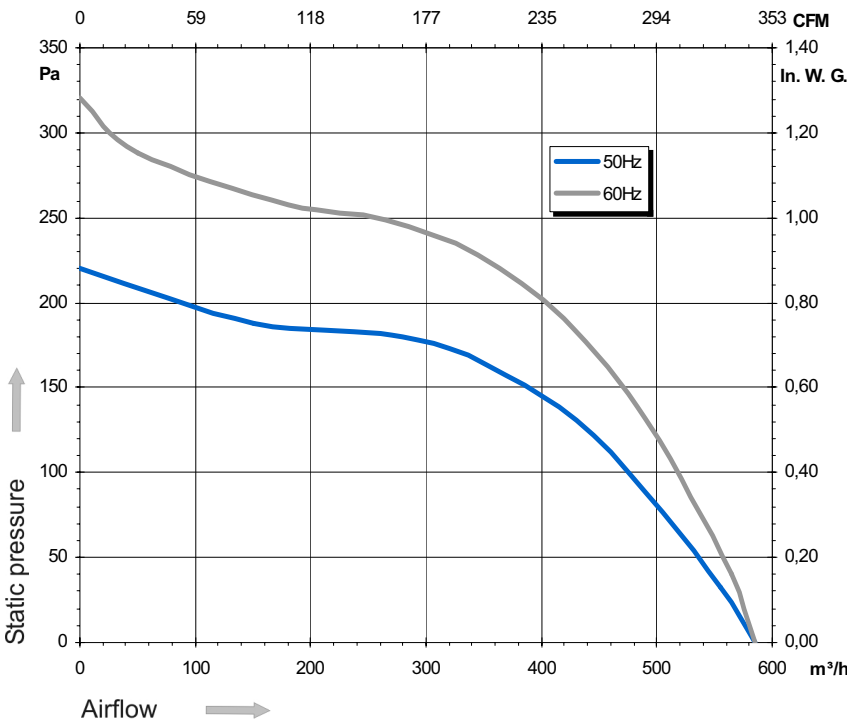
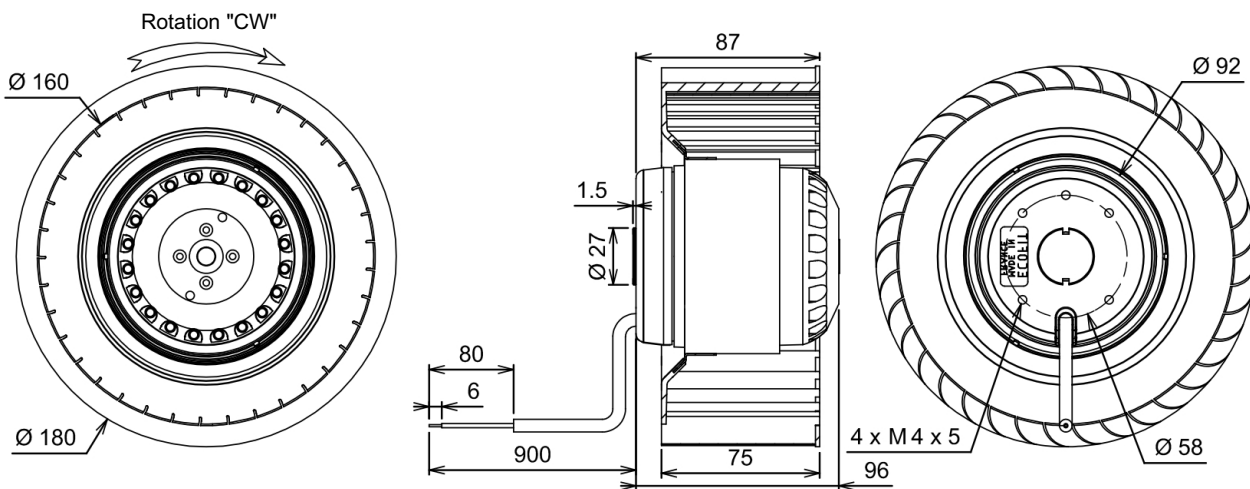
Ind. b - Revision : 11-2003

4TRE35 180x75R

P/N Y41-05

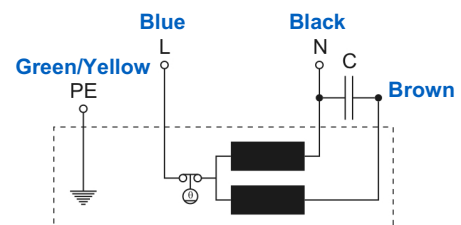


Voltage	Frequency	Input power	Current	Capacitor	Airflow	Speed rotation	Noise level	Rotation direction	Operating temperature
V	Hz	Wa	A	µF	m³/h	RPM	dBA	↻	Min / Max
230	50	102	0,45	3,0	585	1 155	56	R	-20°C / +60°C
230	60	114	0,51	2,5	585	1 130	56	R	-20°C / +60°C



- Ball bearing
- Class F, thermally protected
- IP44 protection
- G2.5 balancing
- PA 6/6 plastic impeller
- Rotor : black paint

Capacitor for 50Hz	Capacitor for 60Hz	Zinc Coated	Inlet cone
19012-0	19011-0	21194-a	16133-a



Non contractual document. All specifications are subject to change without prior notice. Picture for information only.