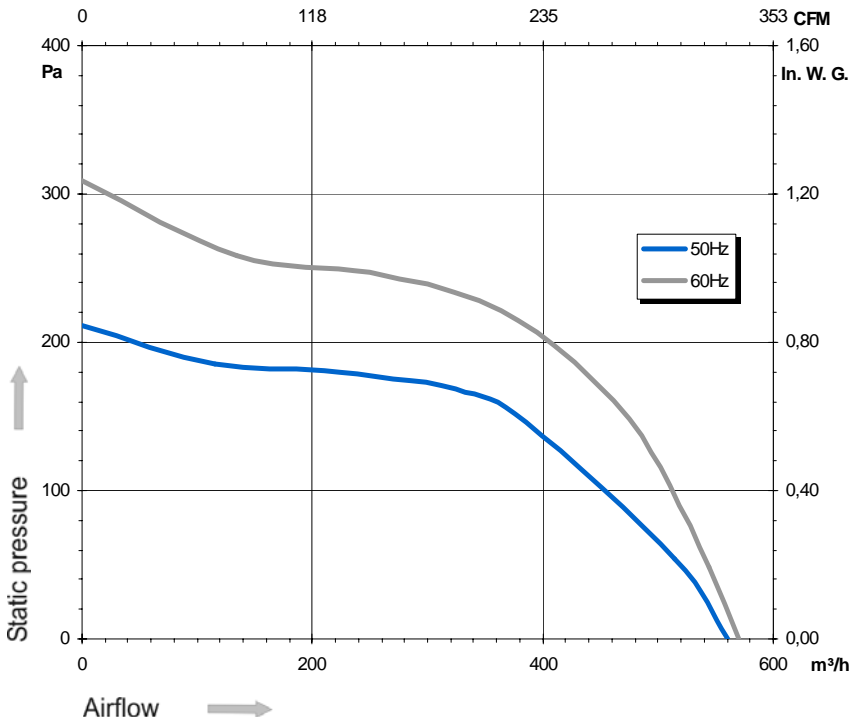
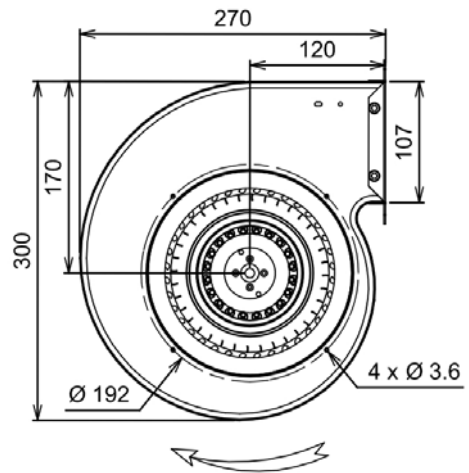
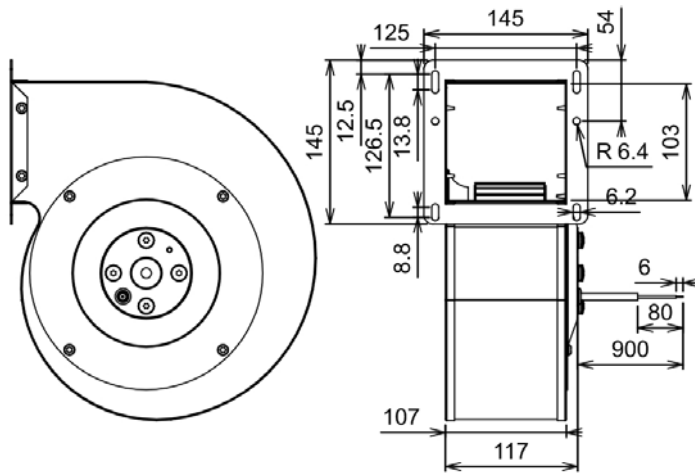


Ind. 0 - Revision : 07-2004

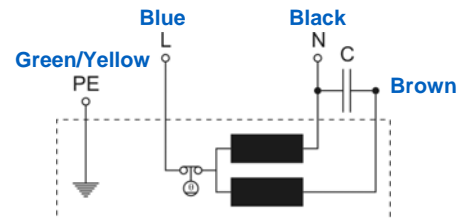
4GREu35 180x75R P/N C48-B5



Voltage	Frequency	Input power	Current	Capacitor	Airflow	Speed rotation	Noise level	Rotation direction	Operating temperature
V	Hz	Wa	A	µF	m³/h	RPM	dBA	↻	Min / Max
115	50	104	1,00	12,0	560	1 075	53	R	-40°C / +70°C
115	60	119	1,09	12,0	570	1 085	53	R	-40°C / +70°C



- Ball bearing
- Class F, thermally protected
- IP44 protection
- G2.5 balancing
- PA 6/6 UL 94 V-0 plastic impeller
- Rotor : black paint
- Scroll housing : black paint
- UL approved motor



Capacitor for 50Hz	Capacitor for 60Hz	Zinc Coated	Inlet cone
19237-0	19237-0	21194-a	16133-a

Non contractual document. All specifications are subject to change without prior notice. Picture for information only.