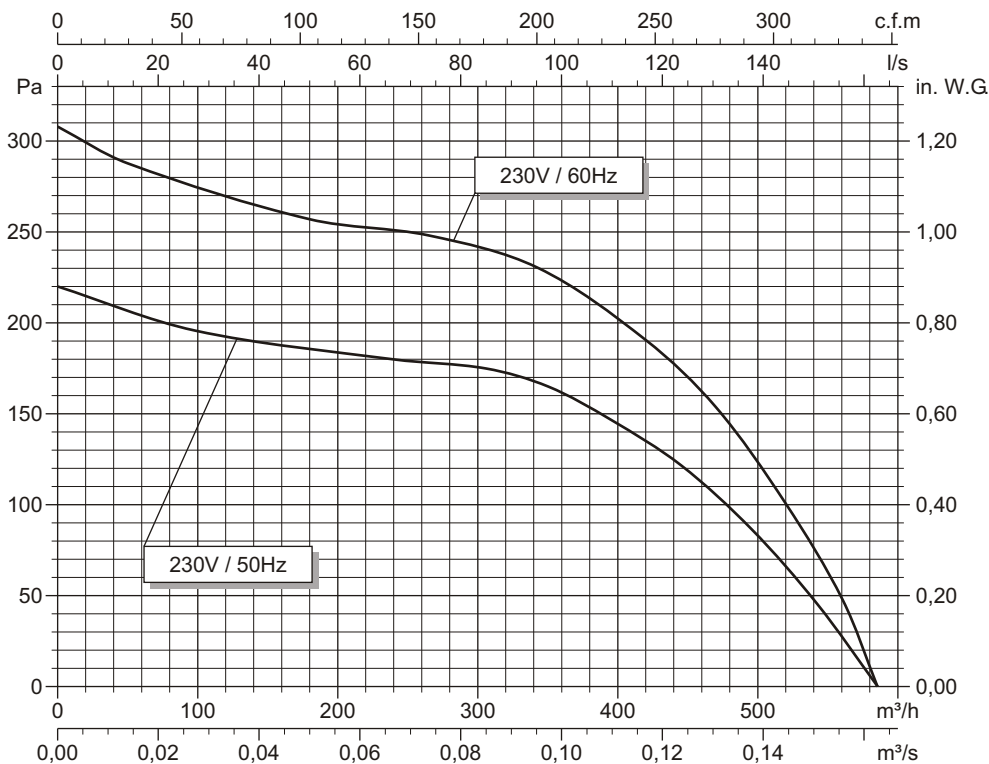
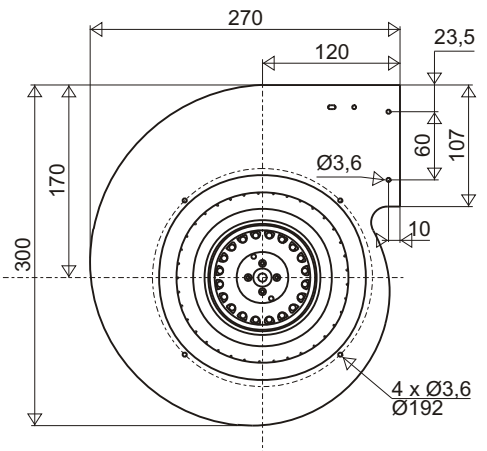
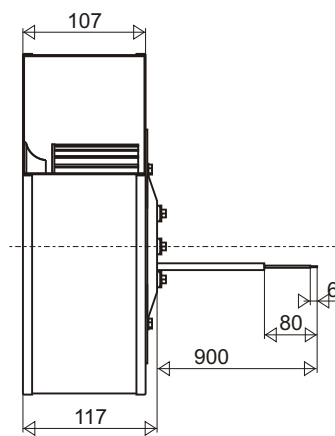


For professional use only. Please refer to the conditions of use of our catalogue.

March 2003

## 4GRE35 180x75R code Y41-06

Voltage	Frequency	Input power	Current	Capacitor	Air flow	Rotational speed	Sound level	Direction of rotation	Max. Air temp.
V	Hz	Wa	A	µF	m <sup>3</sup> /h	rpm	dBA	↻	°C
230	50	102	0,45	3	585	1155	56	R	-20 / +60
230	60	114	0,51	2,5	585	1130	56	R	-20 / +60



- Ball bearings.
- Cl.F windings protected by thermal cut-out.
- Protection IP 44.
- Balancing G2.5.
- Black plastic (polypropylen) impeller.
- Steel painted black scroll.

Capacitor for 50Hz	Capacitor for 60Hz	Finguer guard	Inlet cone
19008-0	19011-0	21194-a	16133-a

