

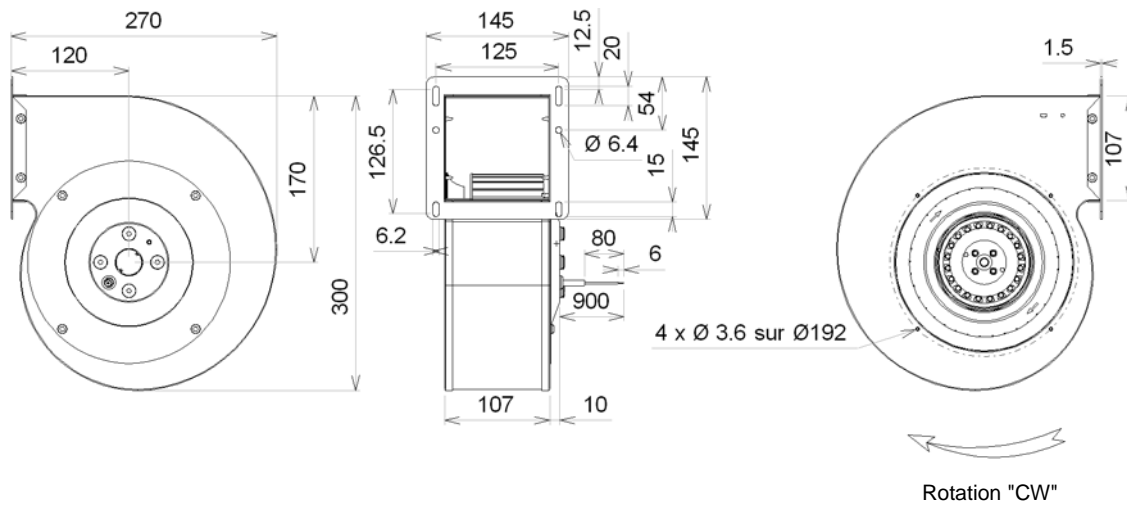


Ind. c - Revision : 07-2005

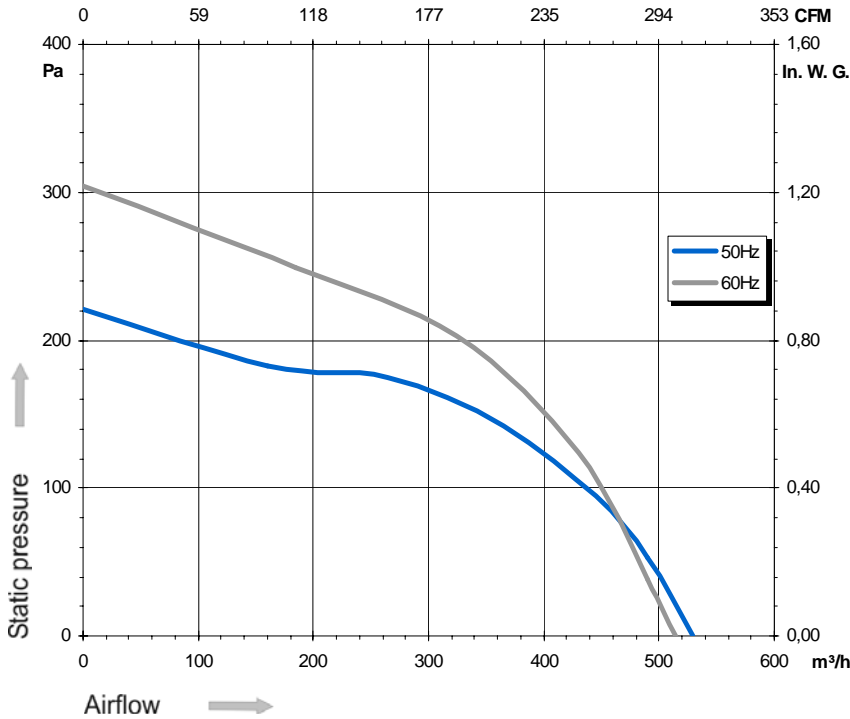
4GRE25 180x75R P/N Y41-04

Substitute for N05-64

Voltage	Frequency	Input power	Current	Capacitor	Airflow	Speed rotation	Noise level	Rotation direction	Operating temperature
V	Hz	Wa	A	µF	m³/h	RPM	dBA	↻	Min / Max
230	50	89	0,40	2,0	530	985	53	R	-20°C / +60°C
230	60	100	0,45	2,0	515	925	53	R	-20°C / +60°C



Non contractual document. All specifications are subject to change without prior notice. Picture for information only.



- Ball bearing
- Class F, thermally protected
- IP44 protection
- G2.5 balancing
- PP plastic impeller
- Rotor : black paint
- Scroll housing : black paint

Capacitor for 50Hz	Capacitor for 60Hz	Zinc Coated	Inlet cone
19008-0	19008-0	21194-a	16133-a

