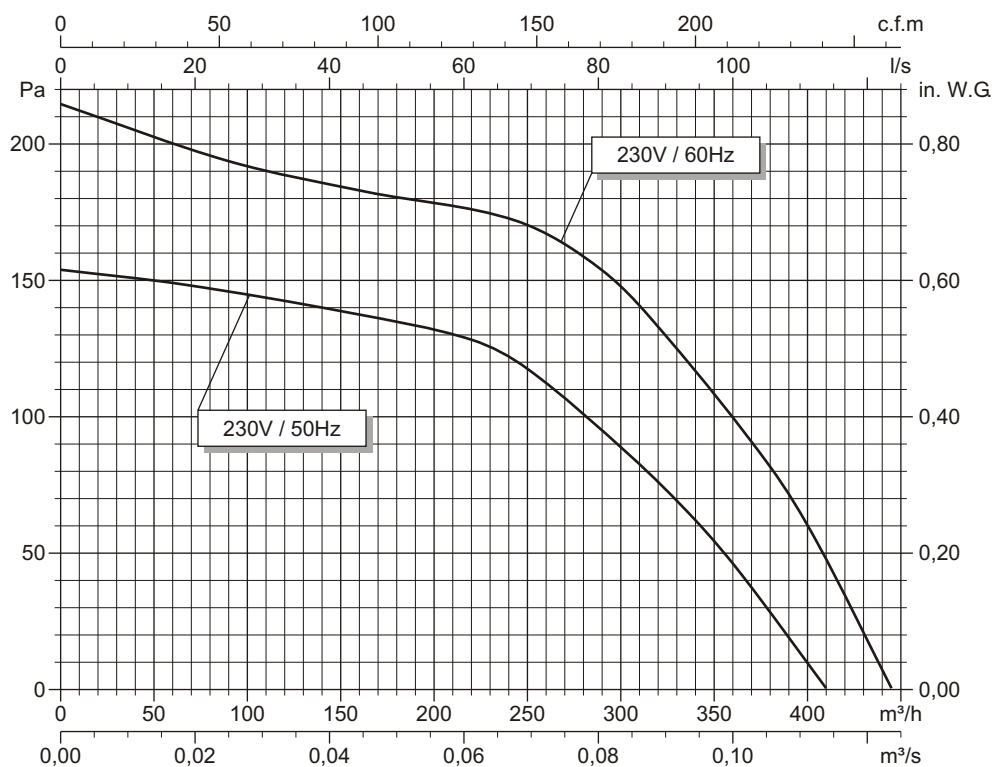
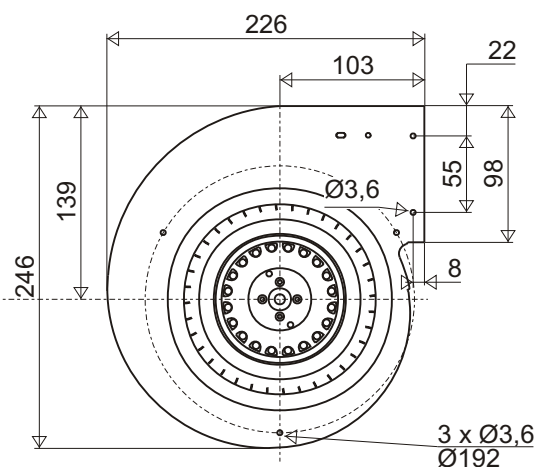
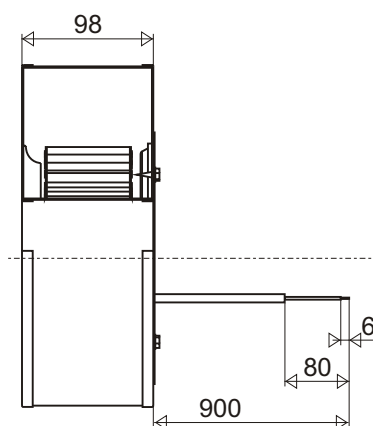


For professional use only. Please refer to the conditions of use of our catalogue.

March 2002

## 4GRE25 160x62R code Q07-20

Voltage	Frequency	Input power	Current	Capacitor	Air flow	Rotational speed	Sound level	Direction of rotation	Max. Air temp.
V	Hz	Wa	A	µF	m <sup>3</sup> /h	rpm	dBA	↻	°C
230	50	70	0,34	2	410	1280	51	R	-20 / +70
230	60	90	0,46	2	445	1400	53	R	-20 / +70



- Ball bearings.
- Cl.F windings protected by thermal cut-out.
- Protection IP 44.
- Balancing G2.5.
- Galvanised steel impeller.
- Steel painted black scroll.

Capacitor for 50Hz	Capacitor for 60Hz	Finguer guard	Inlet cone
19008-0	19008-0	21325-0	16154-0

