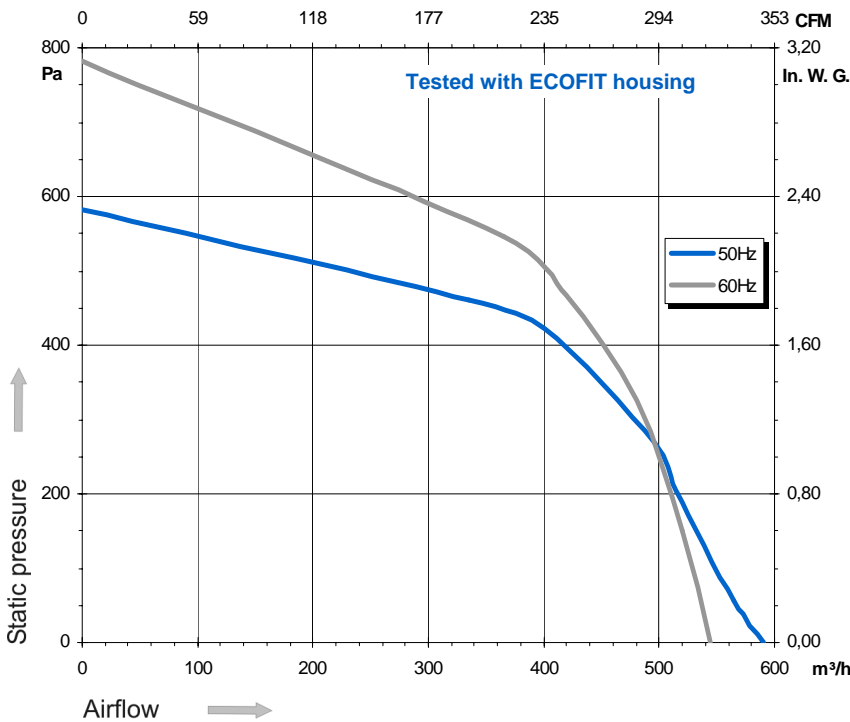
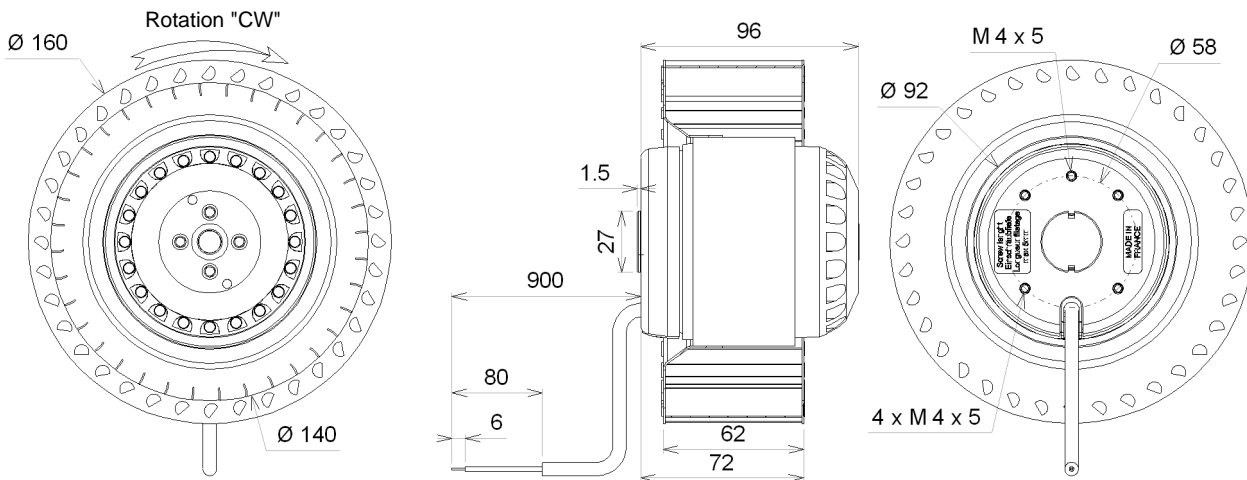


Ind. a - Revision : 11-2004

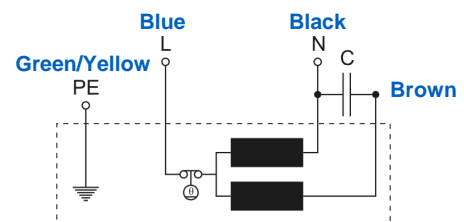
2TREu45 160x62R P/N C48-B0



Voltage	Frequency	Input power	Current	Capacitor	Airflow	Speed rotation	Noise level	Rotation direction	Operating temperature
V	Hz	Wa	A	µF	m³/h	RPM	dBA	↻	Min / Max
115	50	233	2,03	25,0	590	2 060	67	R	-40°C / +70°C
115	60	273	2,38	25,0	545	2 000	63	R	-40°C / +70°C



- Ball bearing
- Class F, thermally protected
- IP44 protection
- G2.5 balancing
- Galvanized steel impeller
- Rotor : black paint
- UL approved motor



Capacitor for 50Hz	Capacitor for 60Hz	Zinc Coated	Inlet cone
19257-0	19257-0	21291-0	16154-0

Non contractual document. All specifications are subject to change without prior notice. Picture for information only.