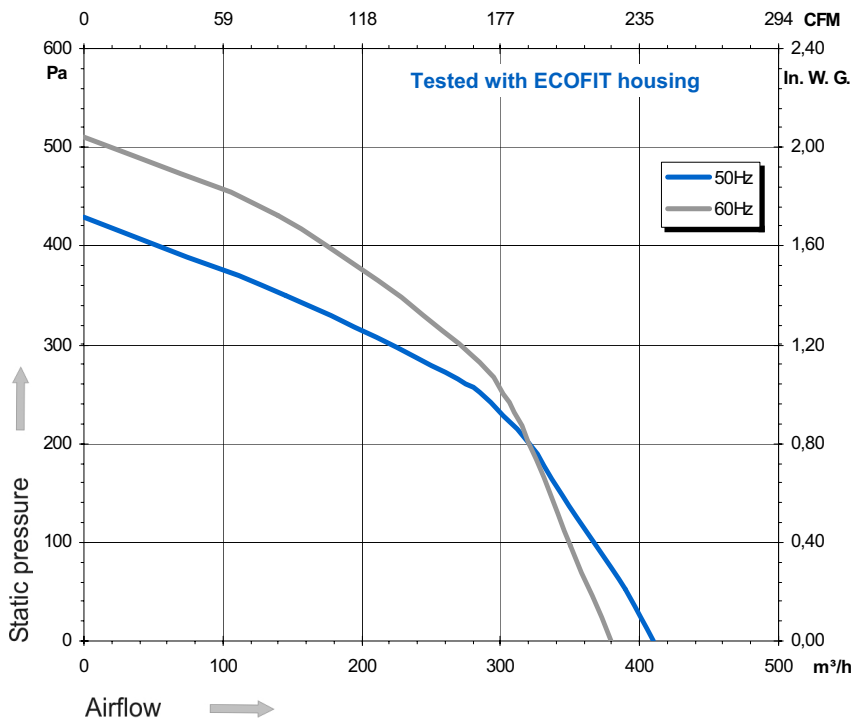
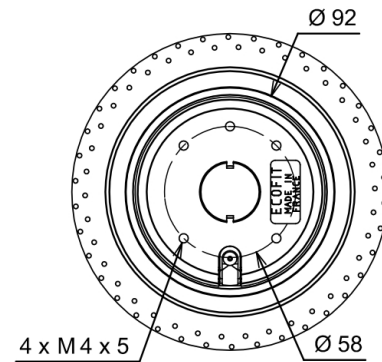
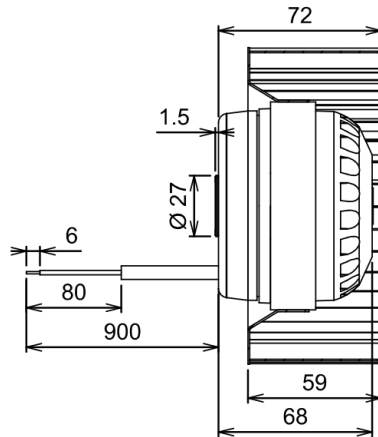
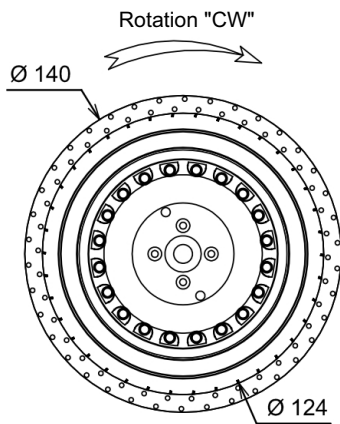


Ind. 0 - Revision : 07-2004

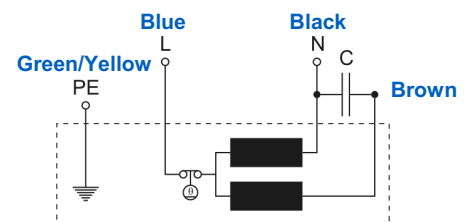
2TREu20 140x59R P/N C48-A6



Voltage	Frequency	Input power	Current	Capacitor	Airflow	Speed rotation	Noise level	Rotation direction	Operating temperature
V	Hz	Wa	A	µF	m ³ /h	RPM	dBA	↻	Min / Max
115	50	116	1,07	10,0	410	1 655	55	R	-40°C / +60°C
115	60	129	1,18	10,0	380	1 505	53	R	-40°C / +60°C



- Ball bearing
- Class F, thermally protected
- IP44 protection
- G2.5 balancing
- Galvanized steel impeller
- Rotor : black paint
- UL approved motor



Capacitor for 50Hz	Capacitor for 60Hz	Zinc Coated	Inlet cone
19223-0	19223-0	21325-0	16043-a

Non contractual document. All specifications are subject to change without prior notice. Picture for information only.