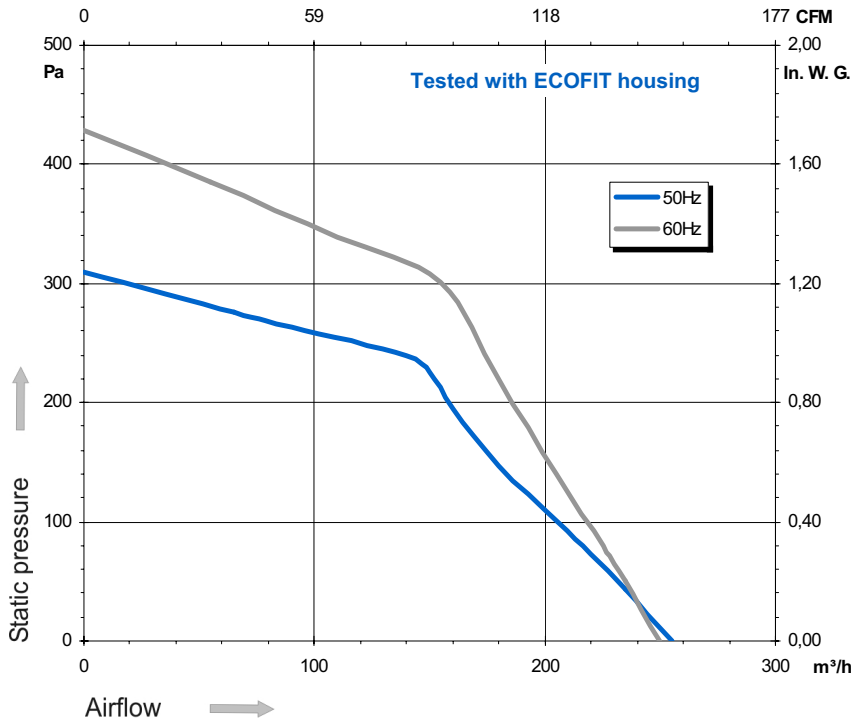
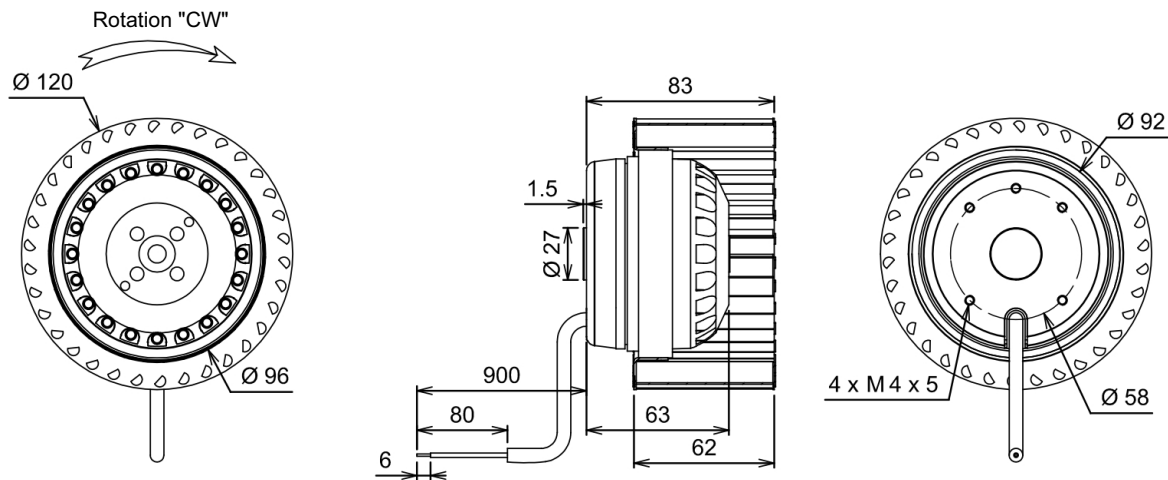


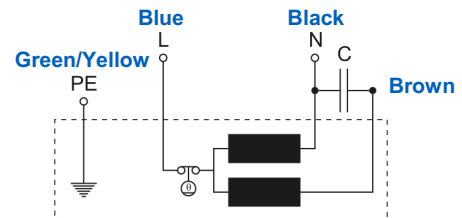
Ind. a - Revision : 07-2004

2TREu15 120x62R P/N C48-A4

Voltage	Frequency	Input power	Current	Capacitor	Airflow	Speed rotation	Noise level	Rotation direction	Operating temperature
V	Hz	Wa	A	µF	m³/h	RPM	dBA	↻	Min / Max
115	50	64	0,58	6,0	255	1 960	52	R	-40°C / +70°C
115	60	76	0,69	6,0	250	2 240	55	R	-40°C / +70°C



- Ball bearing
- Class F, thermally protected
- IP44 protection
- G2.5 balancing
- Galvanized steel impeller
- Rotor : black paint
- UL approved motor



Capacitor for 50Hz	Capacitor for 60Hz	Zinc Coated	Inlet cone
19221-0	19221-0	21236-a	16104-a

Non contractual document. All specifications are subject to change without prior notice. Picture for information only.