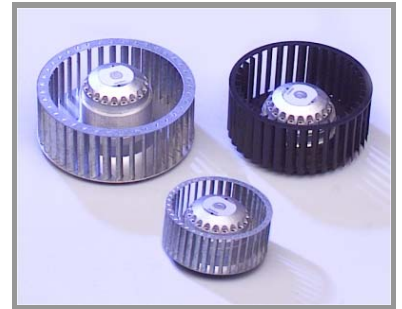


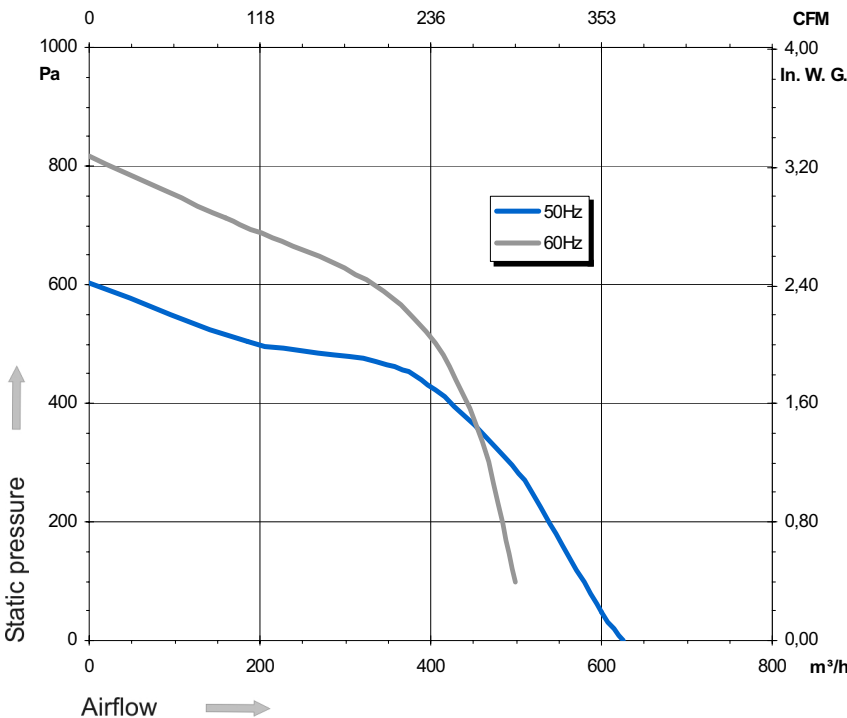
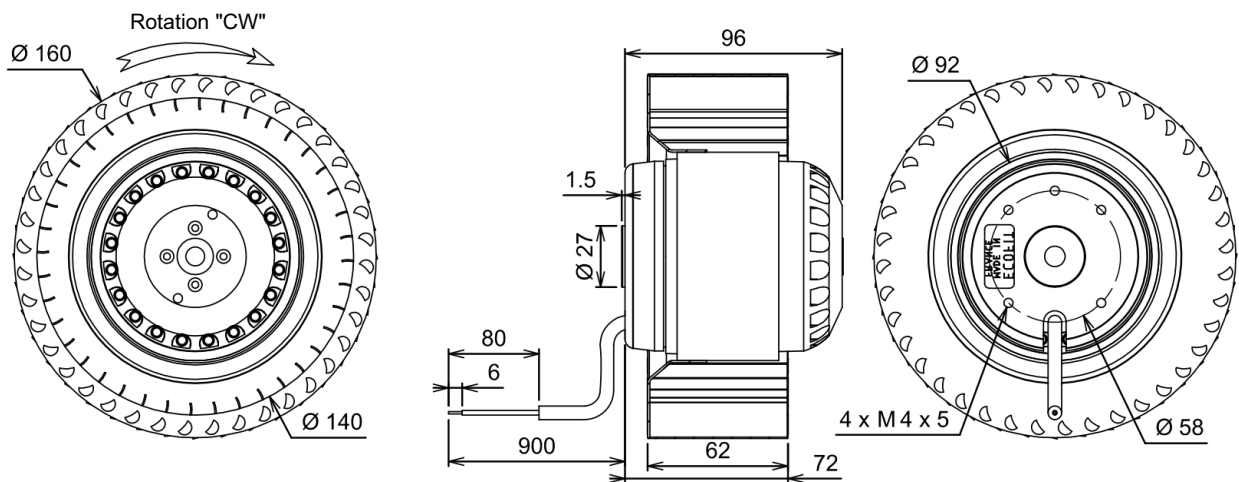
Ind. b - Revision : 11-2003

2TRE45 160x62R

P/N N05-57

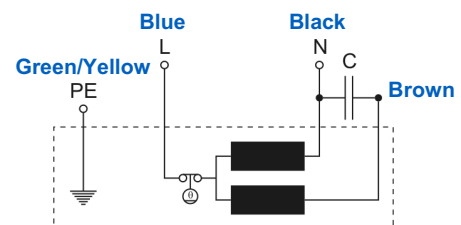


Voltage	Frequency	Input power	Current	Capacitor	Airflow	Speed rotation	Noise level	Rotation direction	Operating temperature
V	Hz	Wa	A	µF	m³/h	RPM	dBA	↻	Min / Max
230	50	264	1,15	6,0	625	2 130	67	R	-20°C / +50°C
230	60	274	1,20	5,0	500	2 055	63	R	-20°C / +50°C



- Ball bearing
- Class F, thermally protected
- IP44 protection
- G2.5 balancing
- Galvanized steel impeller
- Rotor : black paint

Capacitor for 50Hz	Capacitor for 60Hz	Zinc Coated	Inlet cone
19016-0	19131-a	21291-0	16154-0



Non contractual document. All specifications are subject to change without prior notice. Picture for information only.