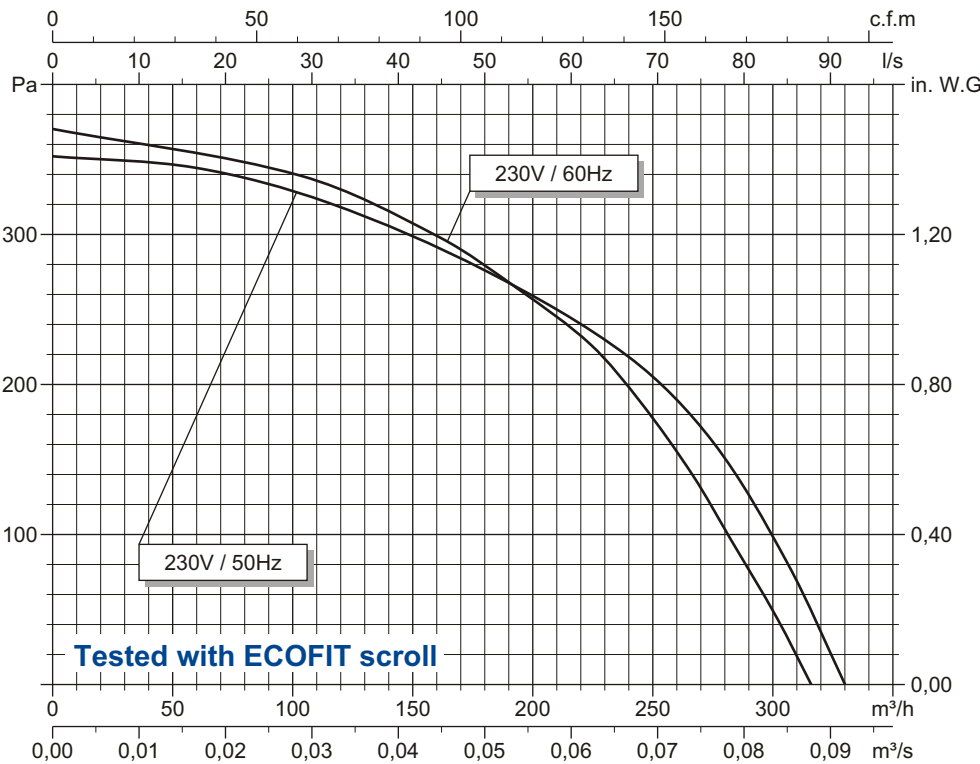
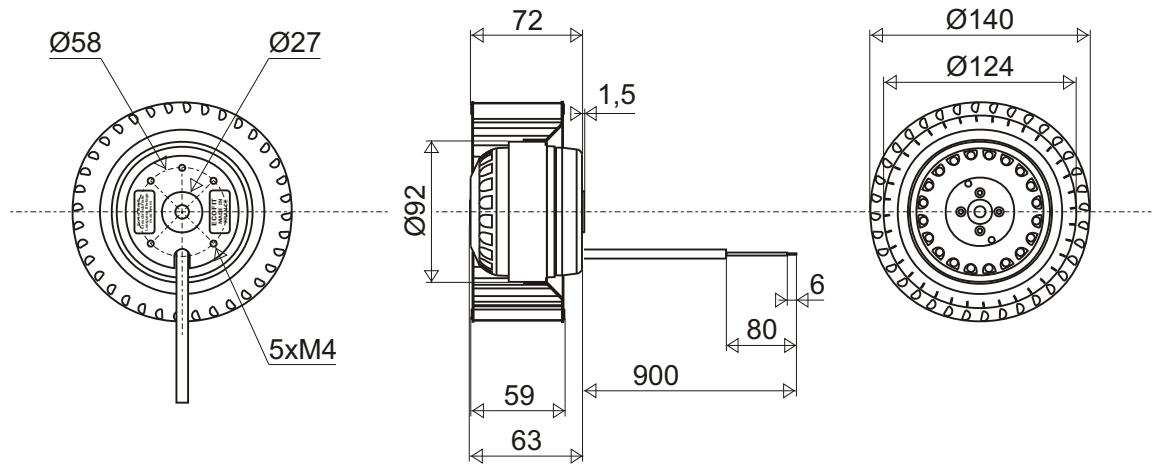


For professional use only. Please refer to the conditions of use of our catalogue.

March 2002

2TRE15 140x59R code K09-10

Voltage	Frequency	Input power	Current	Capacitor	Air flow	Rotational speed	Sound level	Direction of rotation	Max. Air temp.
V	Hz	Wa	A	µF	m ³ /h	rpm	dBA	↻	°C
230	50	88	0,39	2	330	1250	51	R	-20 / +60
230	60	89	0,39	2	315	1200	51	R	-20 / +60



- Ball bearings.
- Cl.F windings protected by thermal cut-out.
- Protection IP 44.
- Balancing G2.5.
- Galvanised steel impeller.

Capacitor for 50Hz	Capacitor for 60Hz	Finguer guard	Inlet cone
19008-0	19008-0	21325-0	16043-a

