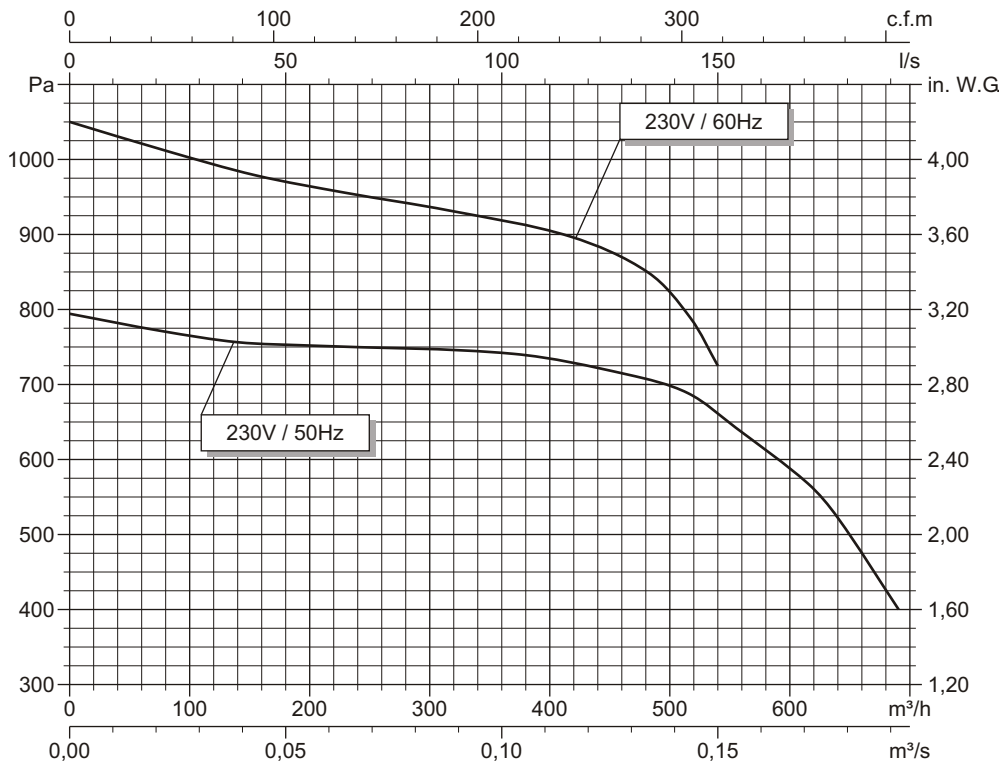
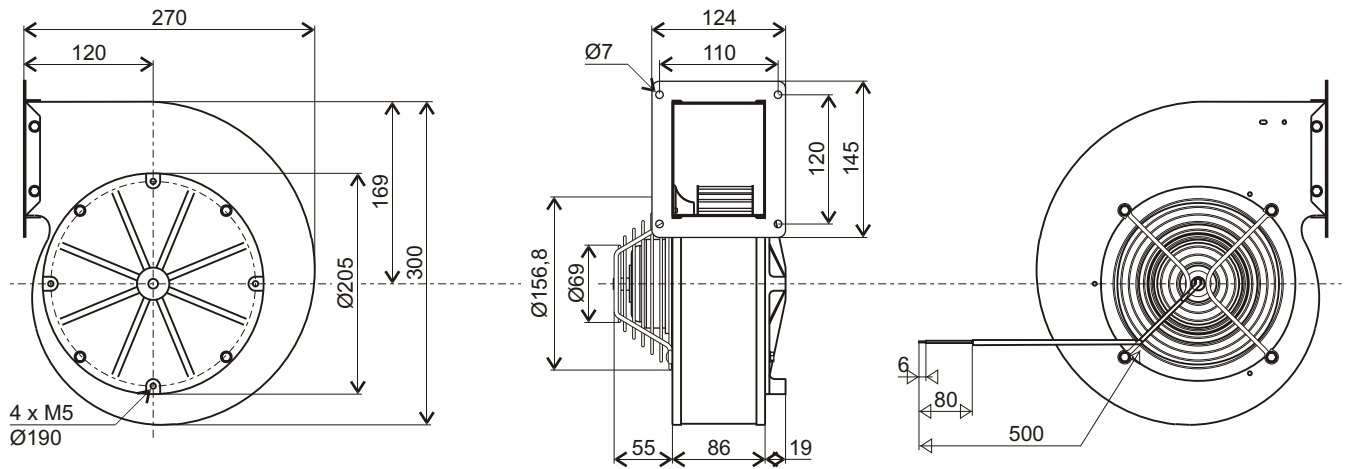


For professional use only. Please refer to the conditions of use of our catalogue.

March 2002

2GRF65 180x52R code Y45-03

Voltage	Frequency	Input power	Current	Capacitor	Air flow	Rotational speed	Sound level	Direction of rotation	Max. Air temp.
V	Hz	Wa	A	µF	m ³ /h	rpm	dBA	↻	°C
230	50	380	1,80	8	690	2375	70	R	-20 / +40
230	60	415	1,91	8	540	2750	74	R	-20 / +40



- Ball bearings.
- Cl.F windings protected by thermal cut-out.
- Protection IP 44.
- Balancing G2.5.
- Galvanised steel impeller.
- Steel painted black scroll.
- Fitted finger guards.

Capacitor for 50Hz	Capacitor for 60Hz
19147-0	19147-0

