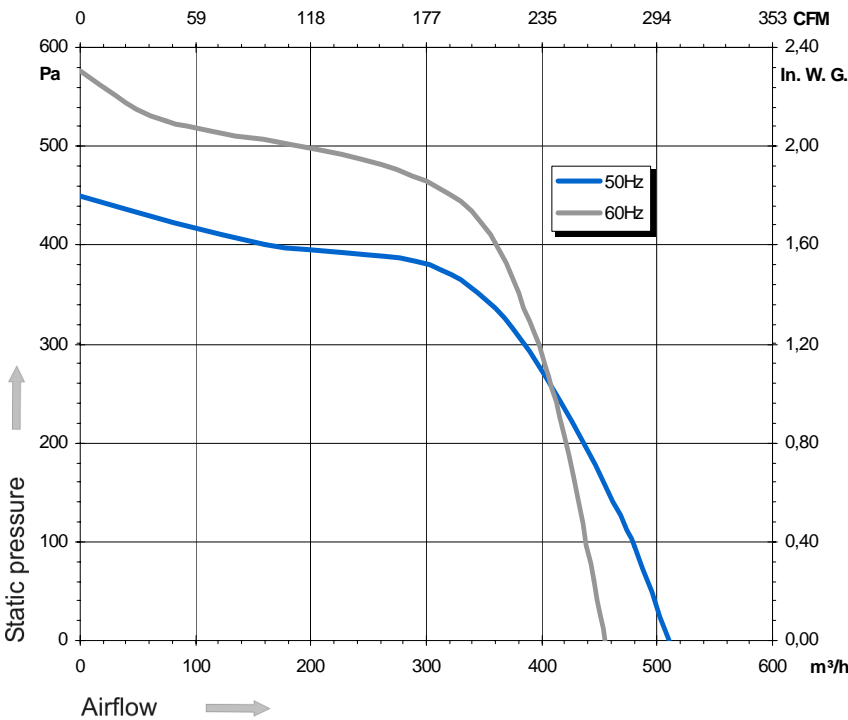
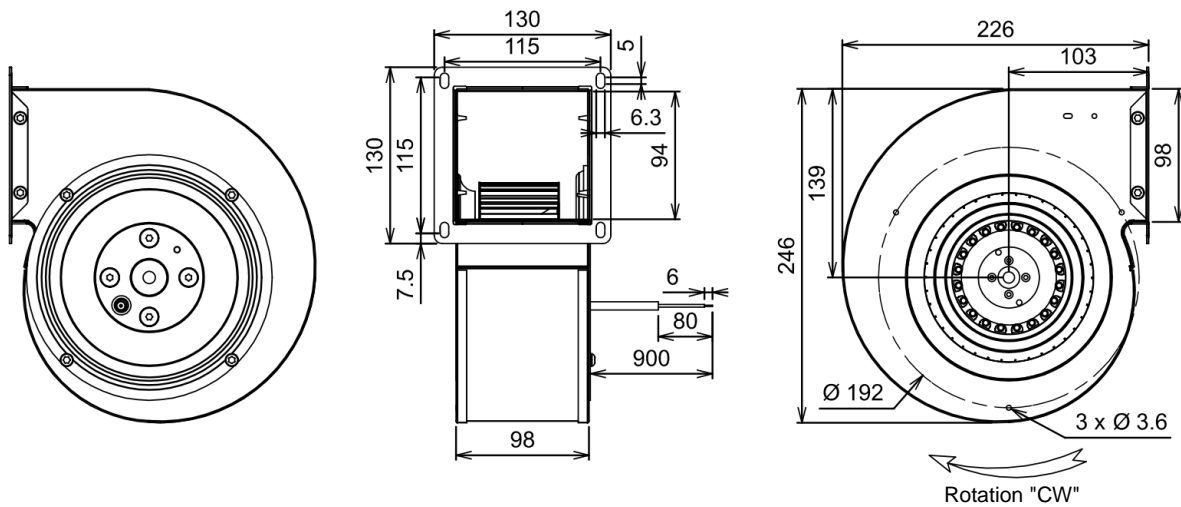


Ind. 0 - Revision : 10-2004

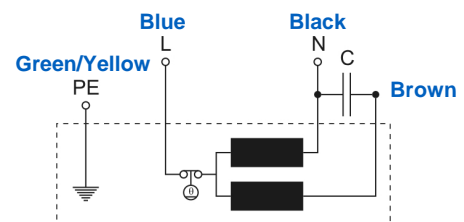
2GREu25 140x59R P/N C45-B8



Voltage	Frequency	Input power	Current	Capacitor	Airflow	Speed rotation	Noise level	Rotation direction	Operating temperature
V	Hz	Wa	A	µF	m³/h	RPM	dBA	↻	Min / Max
230	50	176	0,78	4,0	515	2 050	63	R	-40°C / +70°C
230	60	202	0,91	4,0	455	1 875	60	R	-40°C / +70°C



- Ball bearing
- Class F, thermally protected
- IP44 protection
- G2.5 balancing
- Galvanized steel impeller
- Rotor : black paint
- Scroll housing : black paint
- UL approved motor



Capacitor for 50Hz	Capacitor for 60Hz	Zinc Coated	Inlet cone
19220-a	19220-a	21325-0	16043-a

Non contractual document. All specifications are subject to change without prior notice. Picture for information only.