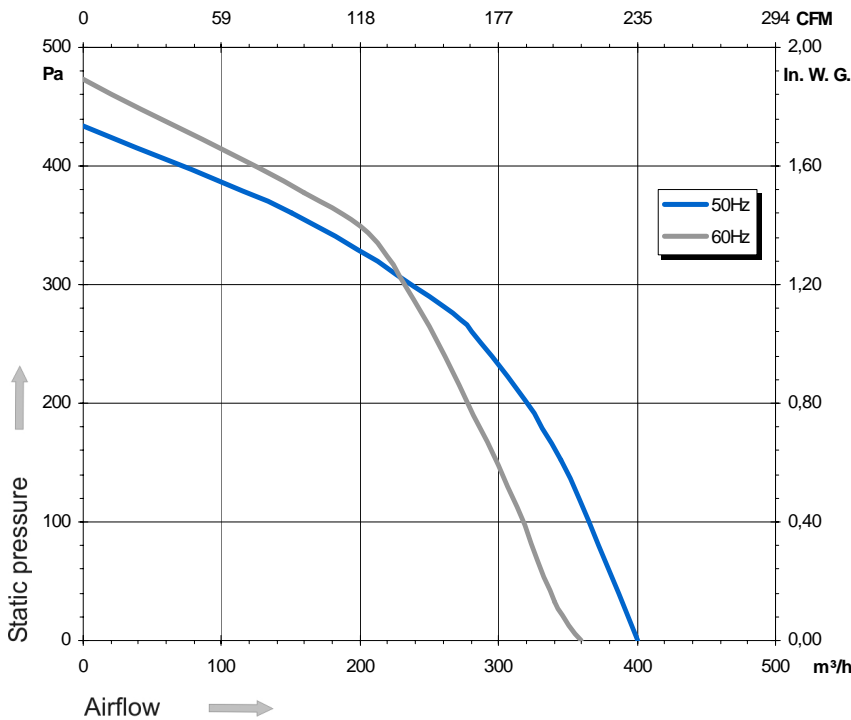
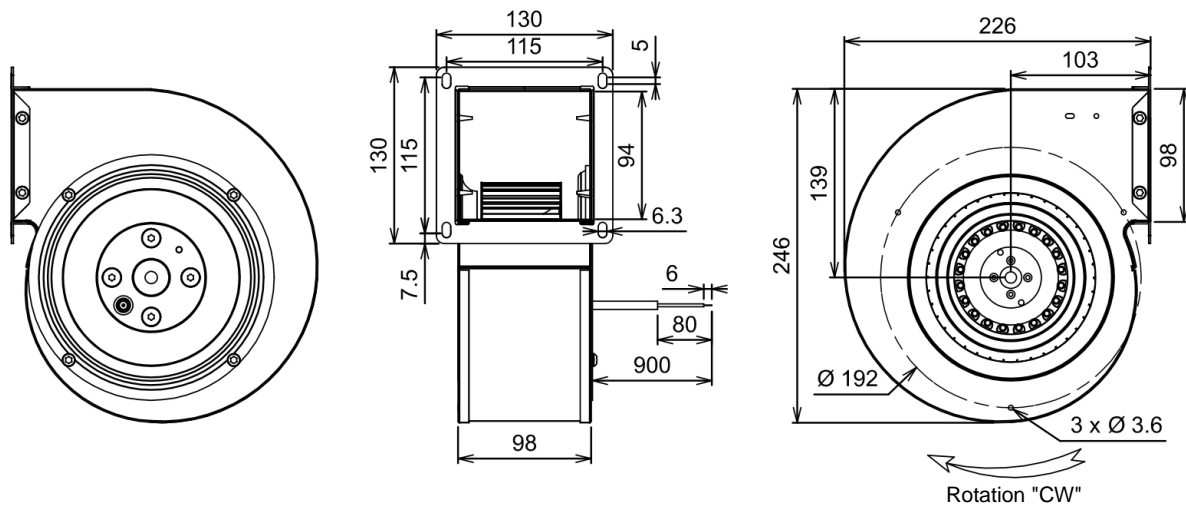


Ind. 0 - Revision : 10-2004

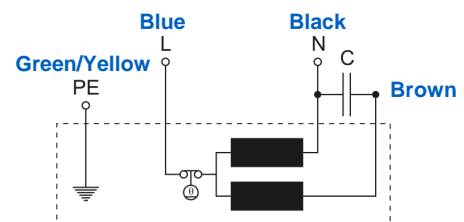
## 2GREu20 140x59R P/N C45-B6



| Voltage | Frequency | Input power | Current | Capacitor | Airflow | Speed rotation | Noise level | Rotation direction | Operating temperature |
|---------|-----------|-------------|---------|-----------|---------|----------------|-------------|--------------------|-----------------------|
| V       | Hz        | Wa          | A       | µF        | m³/h    | RPM            | dBA         | ↻                  | Min / Max             |
| 230     | 50        | 125         | 0,56    | 2,5       | 400     | 1 575          | 55          | R                  | -40°C / +60°C         |
| 230     | 60        | 138         | 0,62    | 2,5       | 360     | 1 405          | 53          | R                  | -40°C / +60°C         |



- Ball bearing
- Class F, thermally protected
- IP44 protection
- G2.5 balancing
- Galvanized steel impeller
- Rotor : black paint
- Scroll housing : black paint
- UL approved motor



| Capacitor for 50Hz | Capacitor for 60Hz | Zinc Coated | Inlet cone |
|--------------------|--------------------|-------------|------------|
| 19218-0            | 19218-0            | 21325-0     | 16043-a    |

Non contractual document. All specifications are subject to change without prior notice. Picture for information only.