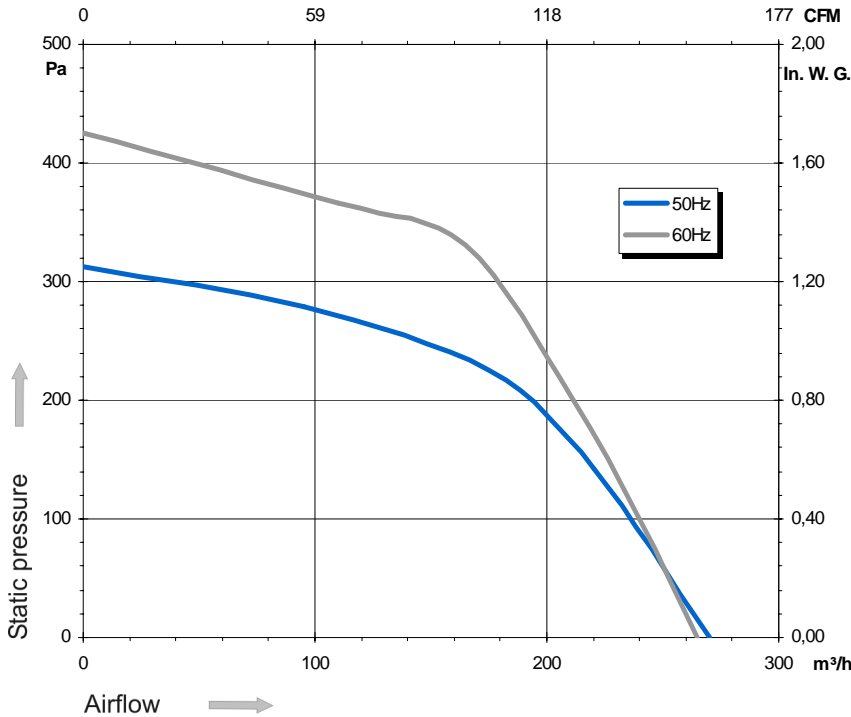
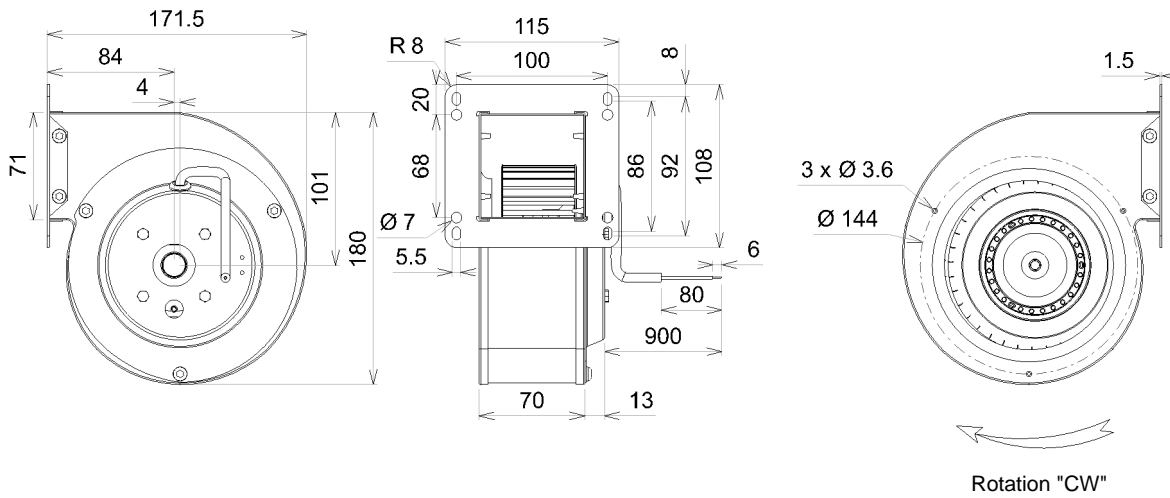


Ind. 0 - Revision : 09-2004

## 2GRE4 133x49R P/N D25-A6

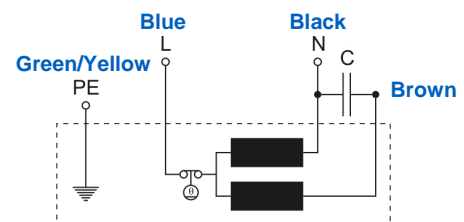


Voltage	Frequency	Input power	Current	Capacitor	Airflow	Speed rotation	Noise level	Rotation direction	Operating temperature
V	Hz	Wa	A	µF	m³/h	RPM	dBA	↻	Min / Max
230	50	77	0,34	2,0	270	1 980	55	R	-20°C / +70°C
230	60	89	0,39	2,0	265	1 935	54	R	-20°C / +70°C



- Ball bearing
- Class F, thermally protected
- IP44 protection
- G2.5 balancing
- Galvanized steel impeller
- Rotor : black paint
- Scroll housing : black paint

Capacitor for 50Hz	Capacitor for 60Hz	Zinc Coated
19008-0	19008-0	21236-a



Non contractual document. All specifications are subject to change without prior notice. Picture for information only.