



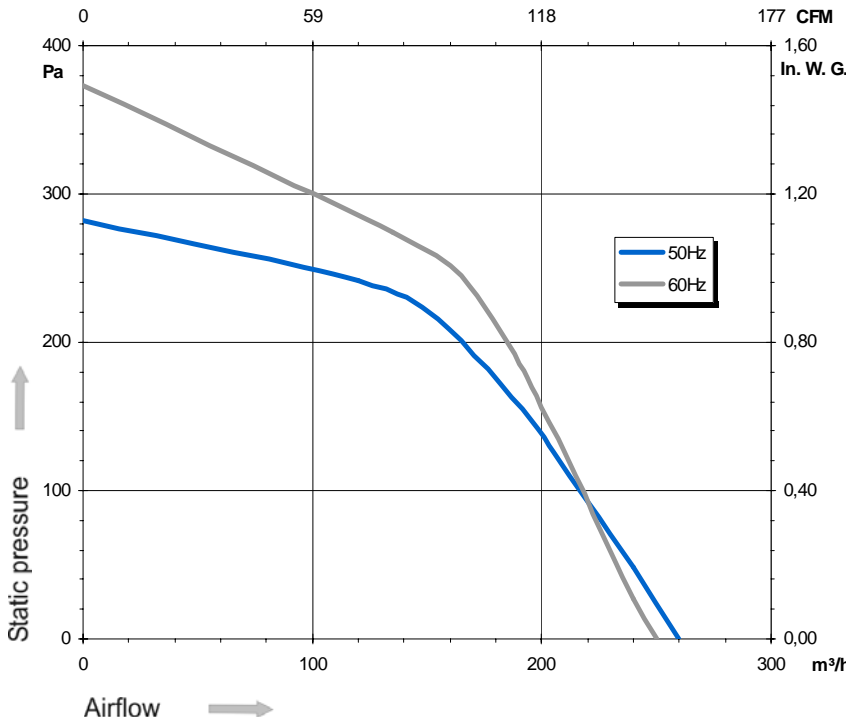
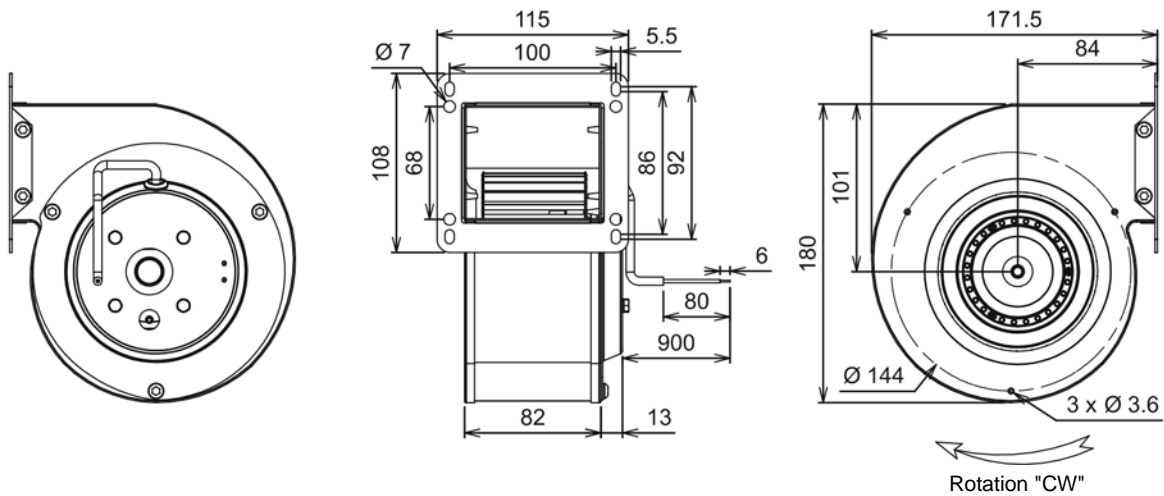
Ind. a - Revision : 02-2005

2GREA3 120x62R P/N D25-A5

Substitute for M03-19

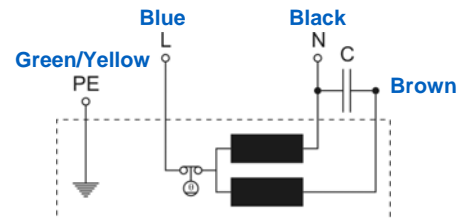


Voltage	Frequency	Input power	Current	Capacitor	Airflow	Speed rotation	Noise level	Rotation direction	Operating temperature
V	Hz	Wa	A	µF	m³/h	RPM	dBA	↻	Min / Max
230	50	58	0,27	2,0	260	1 715	49	R	-20°C / +70°C
230	60	67	0,32	2,0	250	1 635	49	R	-20°C / +70°C



- Ball bearing
- Class F, thermally protected
- IP44 protection
- G2.5 balancing
- Galvanized steel scroll housing
- Rotor : black paint
- Scroll housing : black paint

Capacitor for 50Hz	Capacitor for 60Hz	Zinc Coated
19008-0	19008-0	21236-a



Non contractual document. All specifications are subject to change without prior notice. Picture for information only.