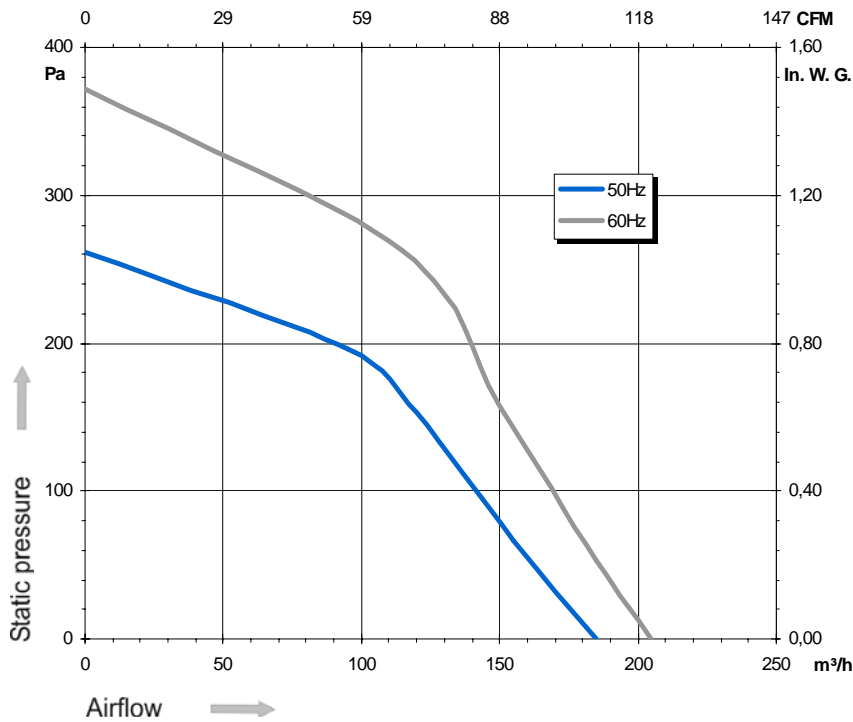
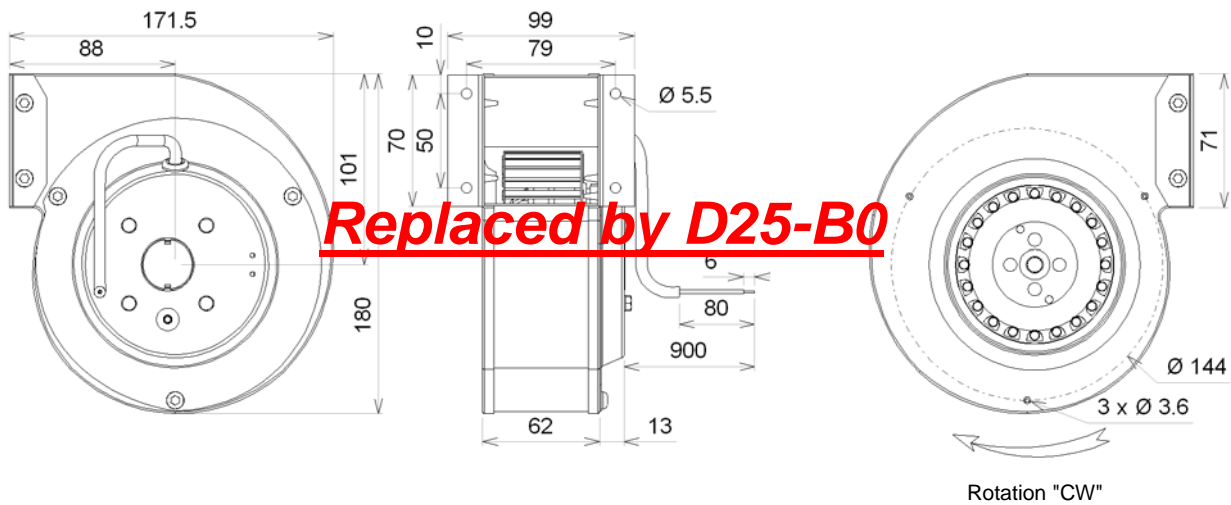




Ind. a - Revision : 04-2005

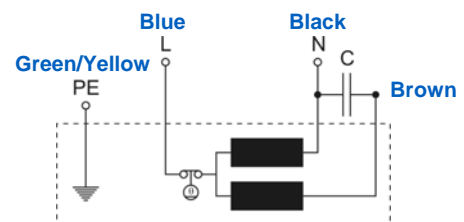
2GRE15 120x42R P/N Q07-34

Voltage	Frequency	Input power	Current	Capacitor	Airflow	Speed rotation	Noise level	Rotation direction	Operating temperature
V	Hz	Wa	A	µF	m³/h	RPM	dBA	↻	Min / Max
230	50	60	0,30	2,0	185	2 500	55	R	-20°C / +70°C
230	60	76	0,40	2,0	205	2 750	57	R	-20°C / +70°C



- Ball bearing
- Class F, thermally protected
- IP44 protection
- G2.5 balancing
- Galvanized steel impeller
- Rotor : black paint
- Scroll housing : black paint

Capacitor for 50Hz	Capacitor for 60Hz	Zinc Coated	Inlet cone
19008-0	19008-0	21236-a	16104-a



Non contractual document. All specifications are subject to change without prior notice. Picture for information only.