



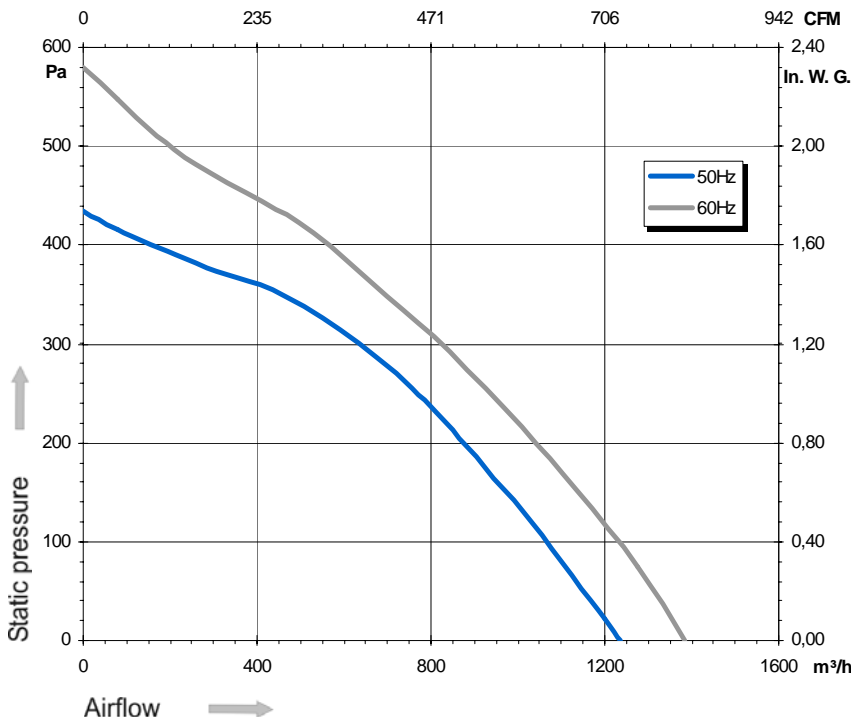
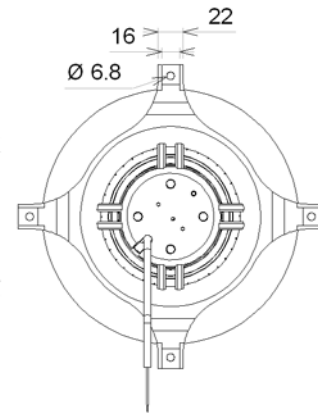
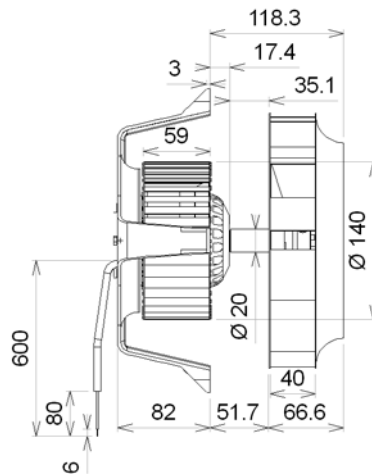
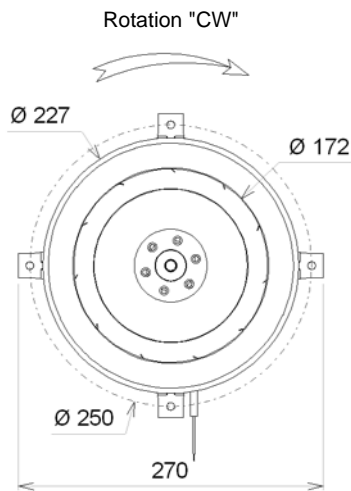
Ind. d - Revision : 03-2005

2DTRt45 225x40R

P/N Z23-06

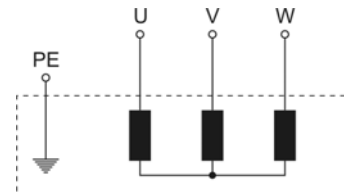


Voltage	Frequency	Input power	Current	Capacitor	Airflow	Speed rotation	Noi se level	Rotation direction	motor operating temperature
V	Hz	Wa	A	µF	m³/h	RPM	dBA	↻	Min / Max
400	50	153	0,29	-	1 235	2 745	70	R	-40°C / +70°C
400	60	192	0,33	-	1 385	3 080	73	R	-40°C / +70°C



- Ball bearing
- Class F winding
- IP44 protection
- G2.5 balancing
- Impeller stainless
- Rotor : black paint
- DTR motor prop cast in aluminium
- Maximum temperature on stainless steel wheel 300°C

Green/Yellow Blue Black Brown



Non contractual document. All specifications are subject to change without prior notice. Picture for information only.