

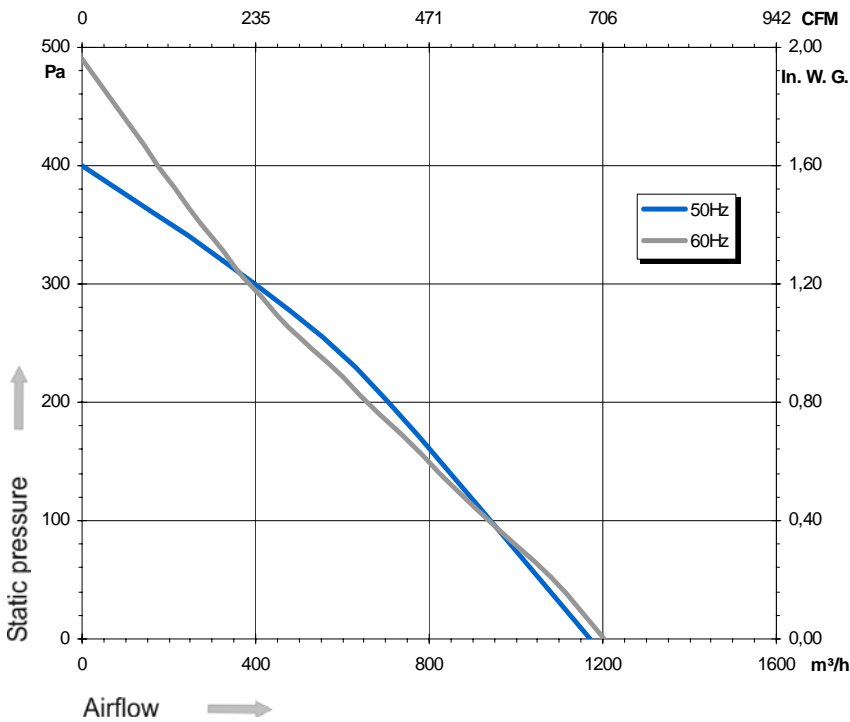
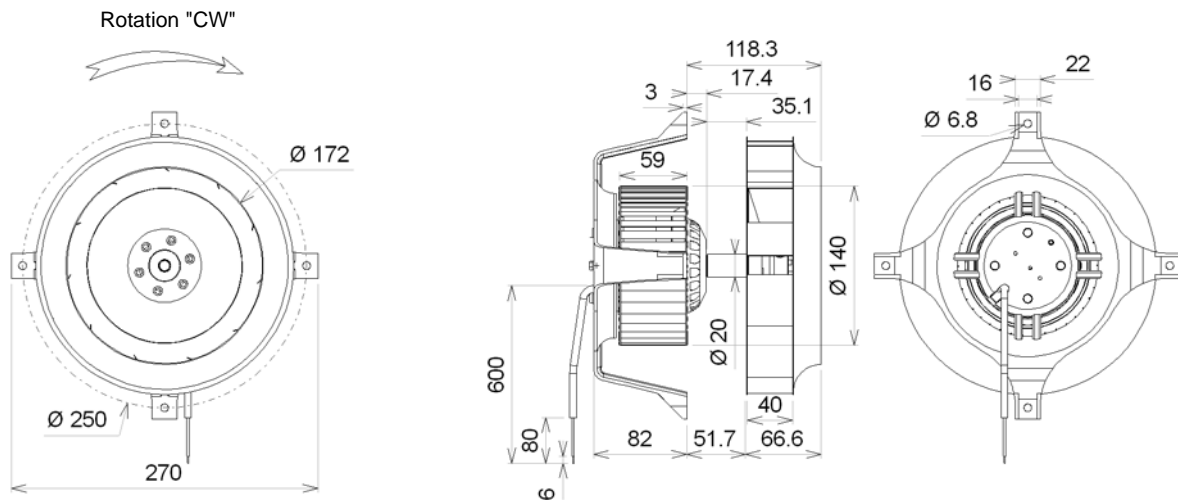


Ind. k - Revision : 02-2005

2DTR45 225x40R P/N K03-16

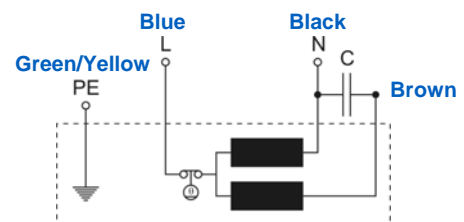


Voltage	Frequency	Input power	Current	Capacitor	Airflow	Speed rotation	Noise level	Rotation direction	motor operating temperature
V	Hz	Wa	A	µF	m³/h	RPM	dBA	↻	Min / Max
230	50	143	0,63	4,0	1 170	2 600	69	R	-40°C / +70°C
230	60	201	0,88	4,0	1 205	2 700	70	R	-40°C / +70°C



- Ball bearing
- Class F, thermally protected
- IP44 protection
- G2.5 balancing
- Impeller stainless
- Rotor : black paint
- DTR motor prop cast in aluminium
- Maximum temperature on stainless steel wheel 300°C

Capacitor for 50Hz	Capacitor for 60Hz
19019-0	19019-0



Non contractual document. All specifications are subject to change without prior notice. Picture for information only.