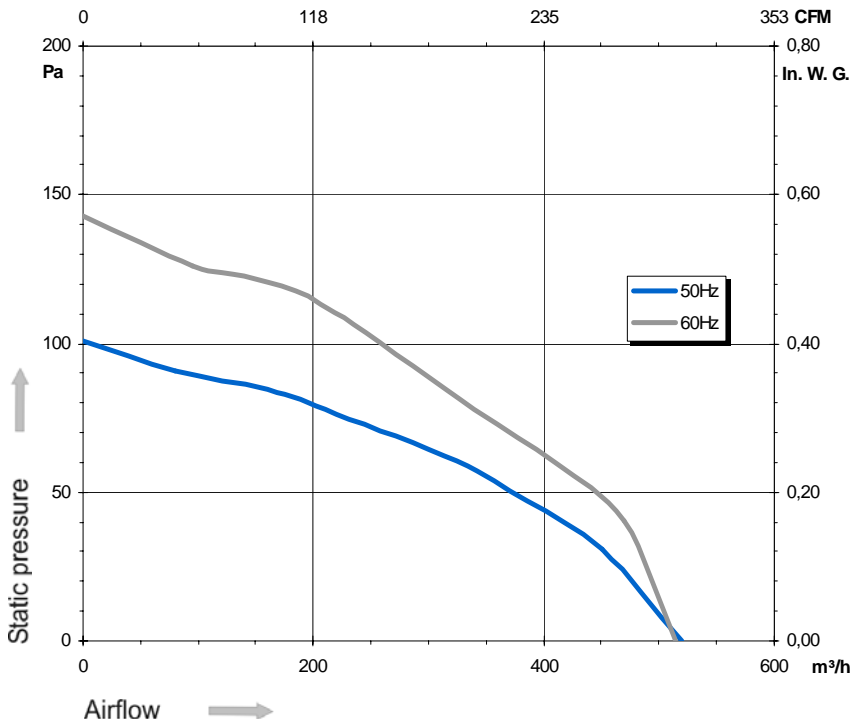
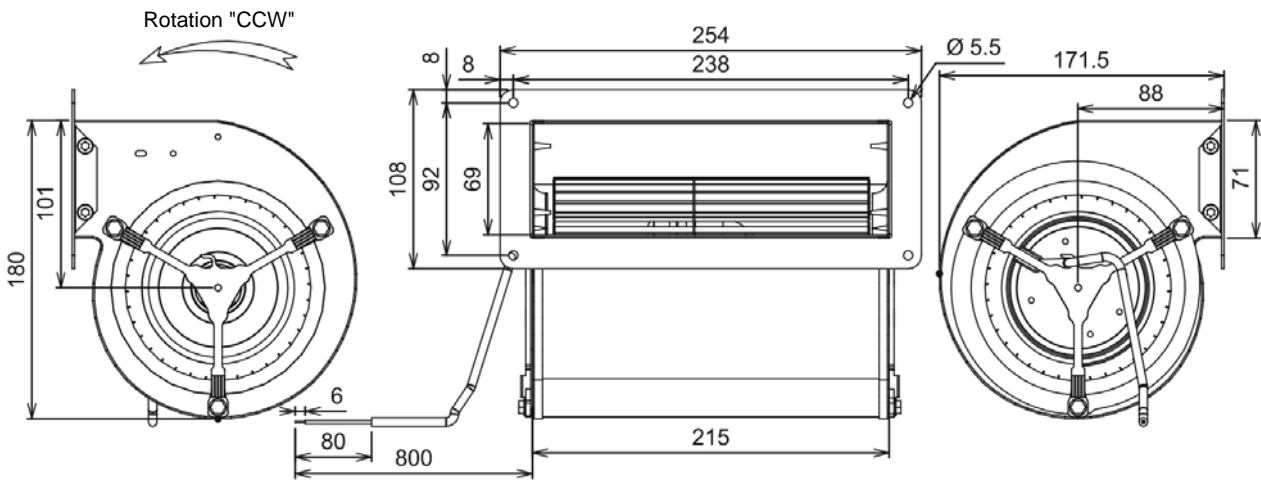


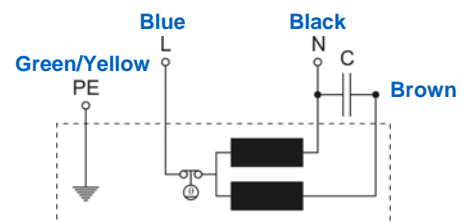
Ind. 0 - Revision : 03-2005

4GDSu20 133x190LR P/N C50-B1

Voltage	Frequency	Input power	Current	Capacitor	Airflow	Speed rotation	Noise level	Rotation direction	Operating temperature
V	Hz	Wa	A	µF	m³/h	RPM	dBA	↻	Min / Max
115	50	58	0,51	8,0	520	1 065	49	L	-40°C / +70°C
115	60	67	0,59	8,0	515	1 060	49	L	-40°C / +70°C



- Ball bearing
- Class F, thermally protected
- IP44 protection
- G2.5 balancing
- Scroll housing : black paint
- Galvanized steel impeller
- UL approved motor



Capacitor for 50Hz	Capacitor for 60Hz	Zinc Coated
19222-0	19222-0	21236-a

Non contractual document. All specifications are subject to change without prior notice. Picture for information only.