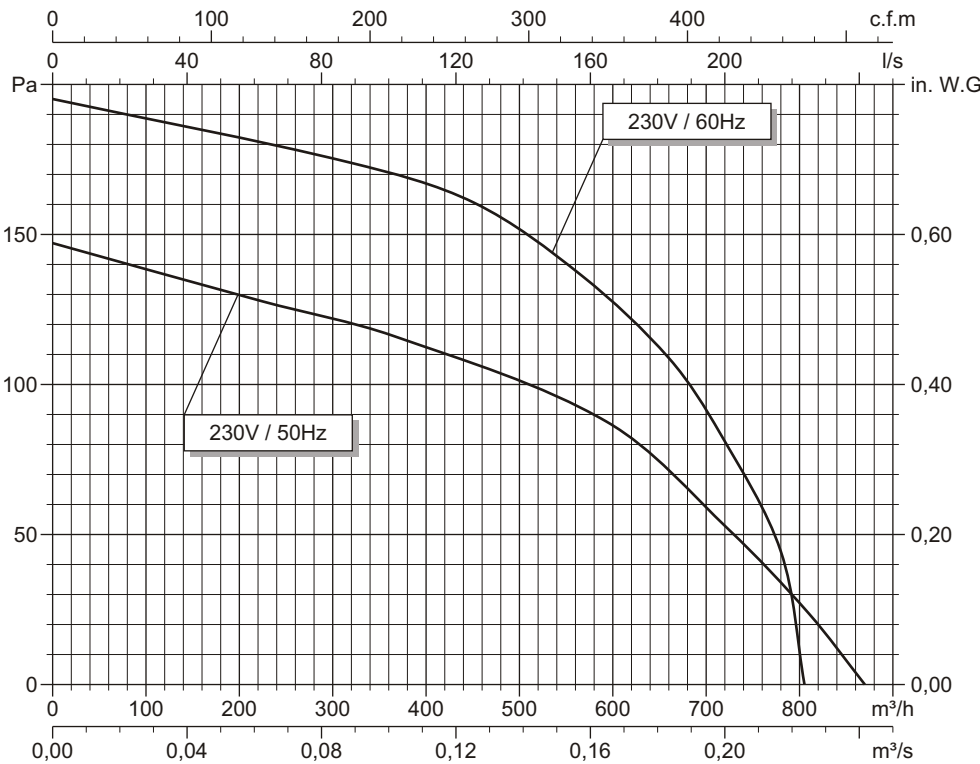
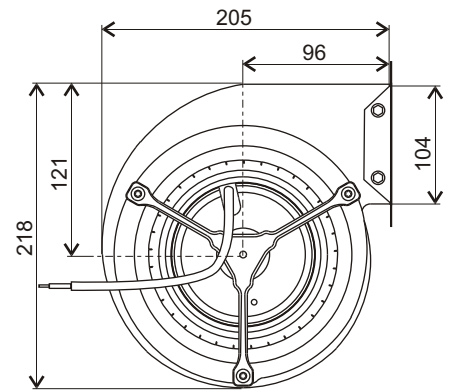
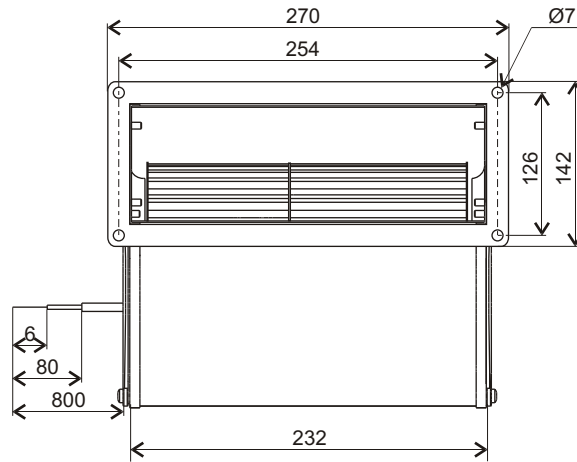
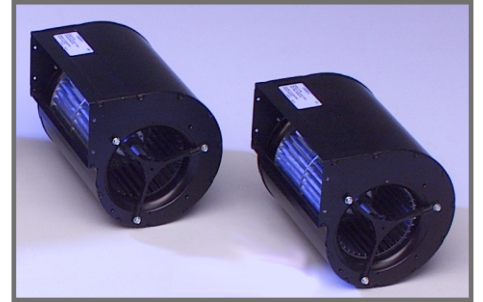


For professional use only. Please refer to the conditions of use of our catalogue.

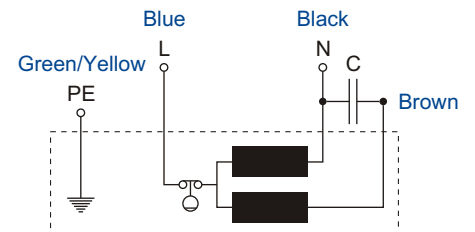
March 2002

## 4GDS25 146x180L code Z18-22

Voltage	Frequency	Input power	Current	Capacitor	Air flow	Rotational speed	Sound level	Direction of rotation	Max. Air temp.
V	Hz	Wa	A	µF	m <sup>3</sup> /h	rpm	dBA	↻	°C
230	50	116	0,53	2,5	870	1110	52	L	-20 / +70
230	60	134	0,61	2,5	805	1060	51	L	-20 / +70



- Ball bearings.
- Cl.F windings protected by thermal cut-out.
- Protection IP 44.
- Balancing G2.5.
- Steel painted black scroll.
- Galvanised steel impeller



Capacitor for 50Hz	Capacitor for 60Hz	Finguer guard
19011-0	19011-0	21338-0