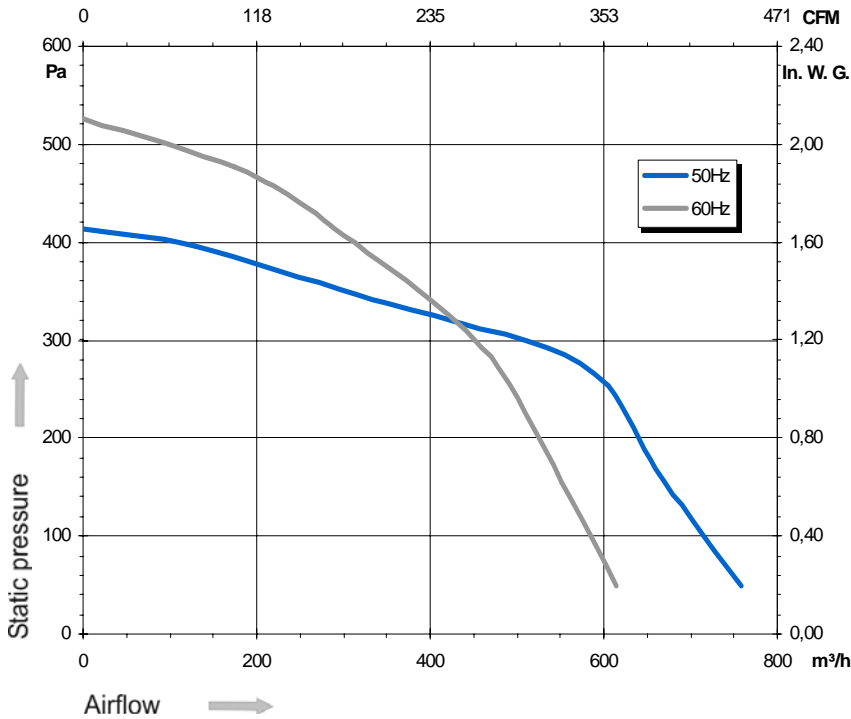
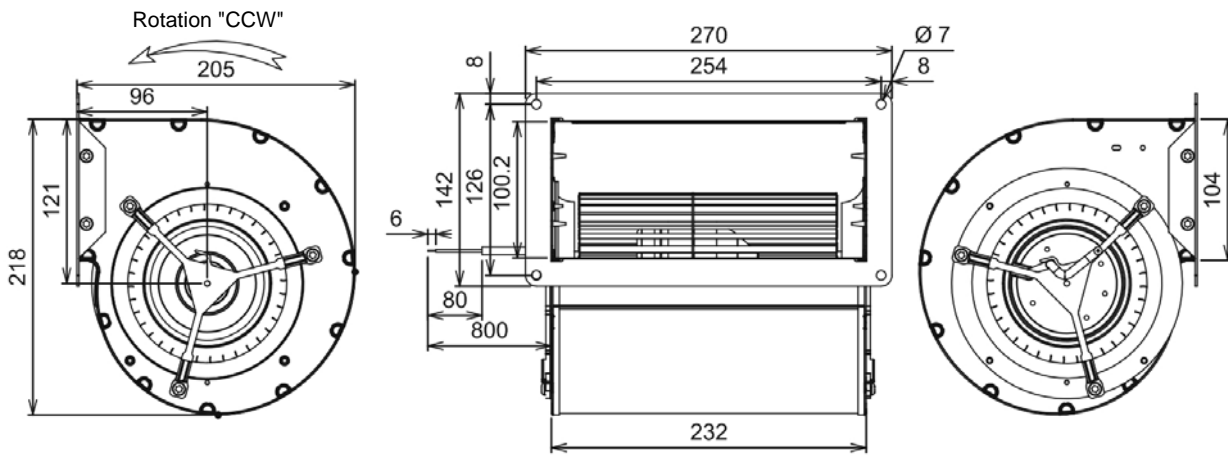


Ind. 0 - Revision : 03-2005

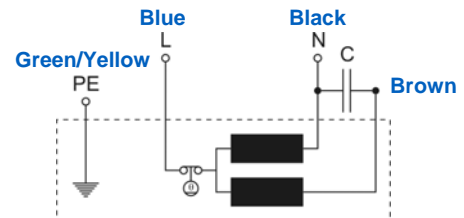
2GDSu35 133x190L P/N C50-A9



Voltage	Frequency	Input power	Current	Capacitor	Airflow	Speed rotation	Noise level	Rotation direction	Operating temperature
V	Hz	Wa	A	µF	m³/h	RPM	dBA	↻	Min / Max
230	50	213	1,00	5,0	758	1 465	52	L	-40°C / +50°C
230	60	204	0,96	4,0	635	1 225	47	L	-40°C / +50°C



- Ball bearing
- Class F, thermally protected
- IP44 protection
- G2.5 balancing
- Scroll housing : black paint
- Galvanized steel impeller
- UL approved motor



Capacitor for 50Hz	Capacitor for 60Hz	Zinc Coated
19216-0	19220-a	21338-0

Non contractual document. All specifications are subject to change without prior notice. Picture for information only.