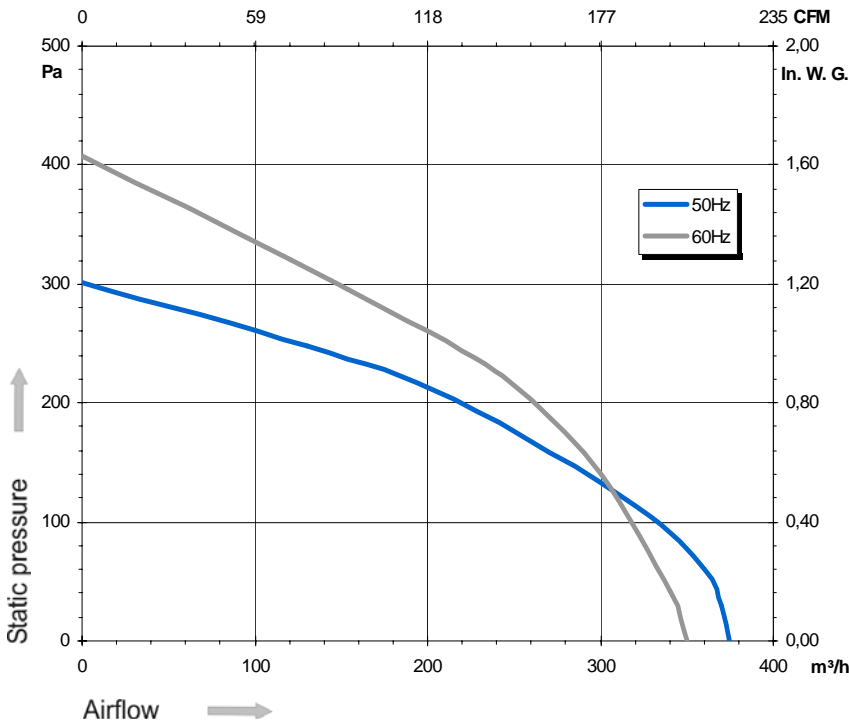
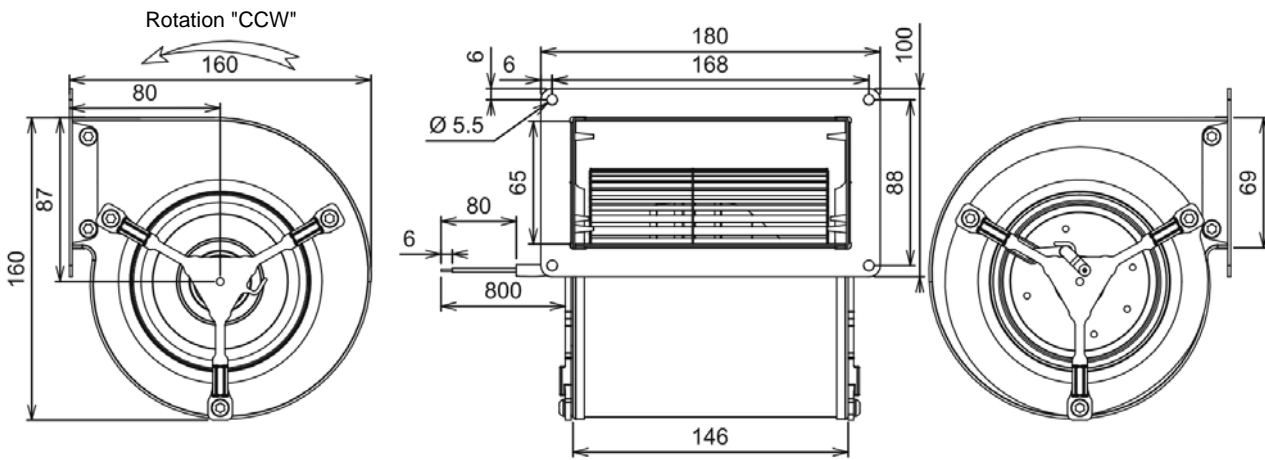


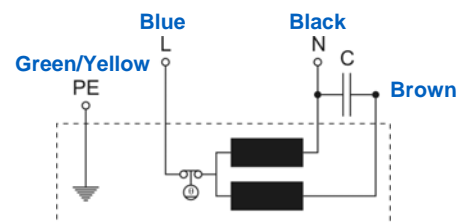
Ind. 0 - Revision : 07-2004

## 2GDSu15 120x126L P/N C50-B0

Voltage	Frequency	Input power	Current	Capacitor	Airflow	Speed rotation	Noise level	Rotation direction	Operating temperature
V	Hz	Wa	A	µF	m³/h	RPM	dBA	↻	Min / Max
115	50	98	0,86	8,0	375	1 495	49	L	-40°C / +60°C
115	60	109	0,95	8,0	350	1 405	48	L	-40°C / +50°C



- Ball bearing
- Class F, thermally protected
- IP44 protection
- G2.5 balancing
- Scroll housing : black paint
- Galvanized steel impeller
- UL approved motor



Capacitor for 50Hz	Capacitor for 60Hz	Zinc Coated
19222-0	19222-0	21237-a

Non contractual document. All specifications are subject to change without prior notice. Picture for information only.