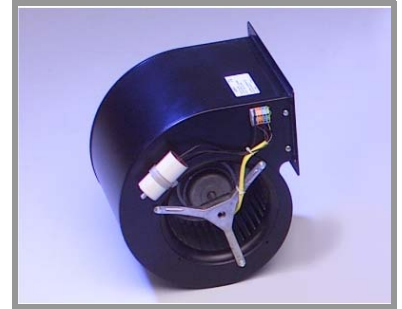
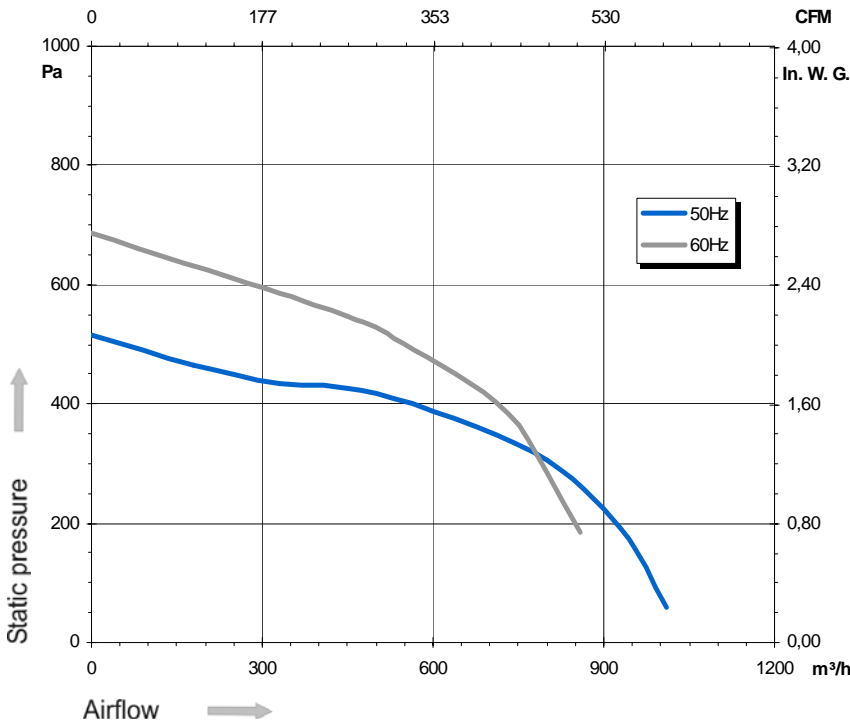
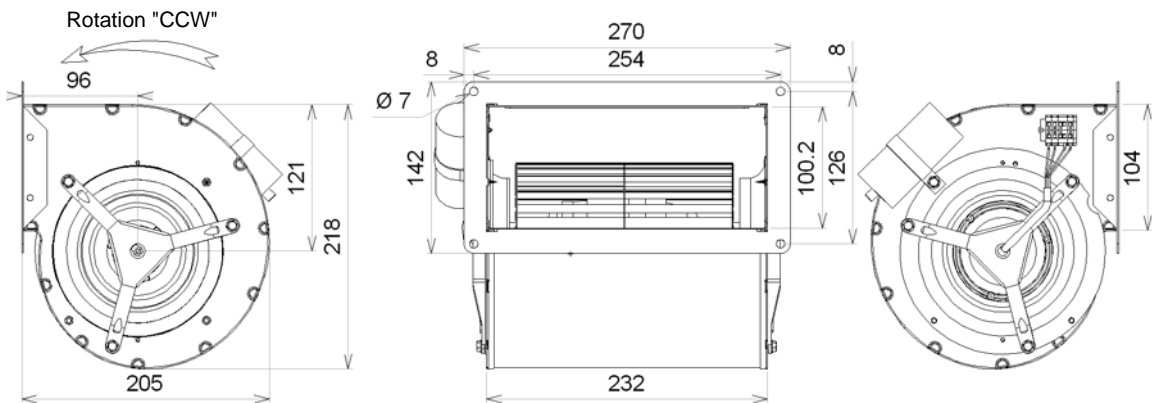


Ind. 0 - Revision : 03-2005

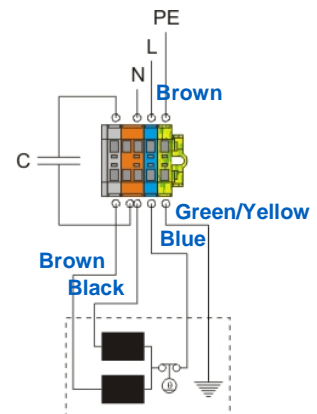
## 2GDFu65 146x180L P/N C50-B6



Voltage	Frequency	Input power	Current	Capacitor	Airflow	Speed rotation	Noise level	Rotation direction	Operating temperature
V	Hz	Wa	A	µF	m³/h	RPM	dB(A)	↻	Min / Max
115	50	356	3,10	40,0	1 010	1 845	62	L	-40°C / +50°C
115	60	387	3,37	40,0	855	2 105	63	L	-40°C / +60°C



- Ball bearing
- Class F, thermally protected
- IP54 protection
- G2.5 balancing
- Scroll housing : black paint
- Galvanized steel impeller
- Capacitor fixed on the scroll and wired to a WAGO Connector
- UL approved motor



Capacitor for 50Hz      Capacitor for 60Hz      Zinc Coated

21290-b

Non contractual document. All specifications are subject to change without prior notice. Picture for information only.