

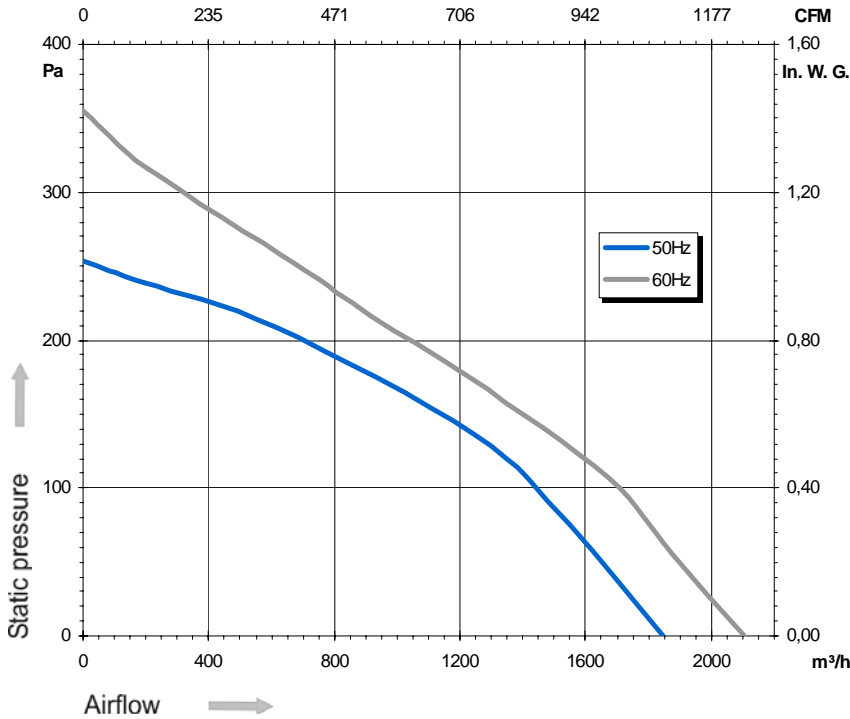
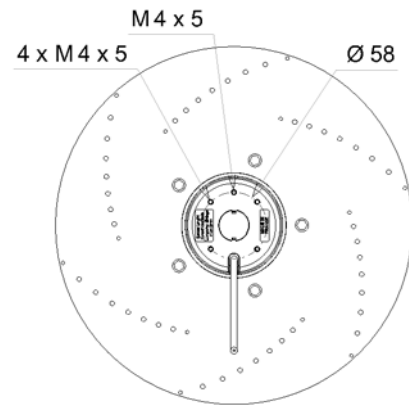
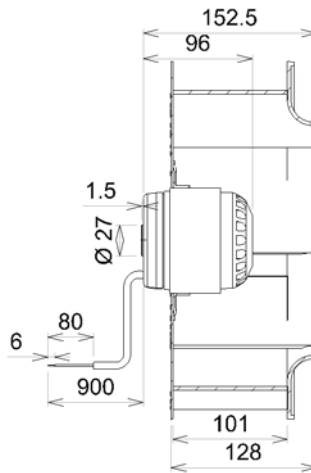
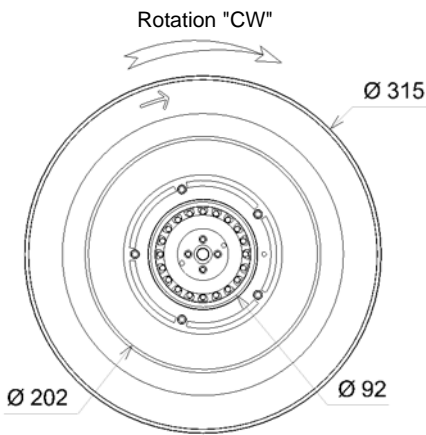
Ind. c - Revision : 09-2005

4RREu45 315x101R

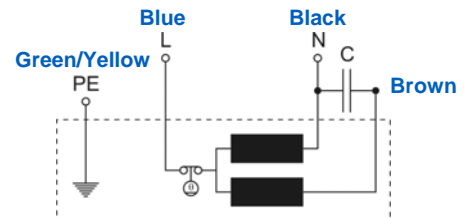
P/N Y06-09



Voltage	Frequency	Input power	Current	Capacitor	Airflow	Speed rotation	Noise level	Rotation direction	Operating temperature
V	Hz	Wa	A	µF	m³/h	RPM	dBA	↻	Min / Max
230	50	119	0,58	4,0	1 845	1 375	62	R	-40°C / +70°C
230	60	161	0,71	4,0	2 100	1 565	65	R	-40°C / +70°C



- Ball bearing
- Class F, thermally protected
- IP44 protection
- G2.5 balancing
- Rotor : black paint
- PA 6/6 UL 94 V-0 plastic impeller
- UL approved motor



Capacitor for 50Hz	Capacitor for 60Hz	Inlet cone
19220-a	19220-a	16151-d

Non contractual document. All specifications are subject to change without prior notice. Picture for information only.