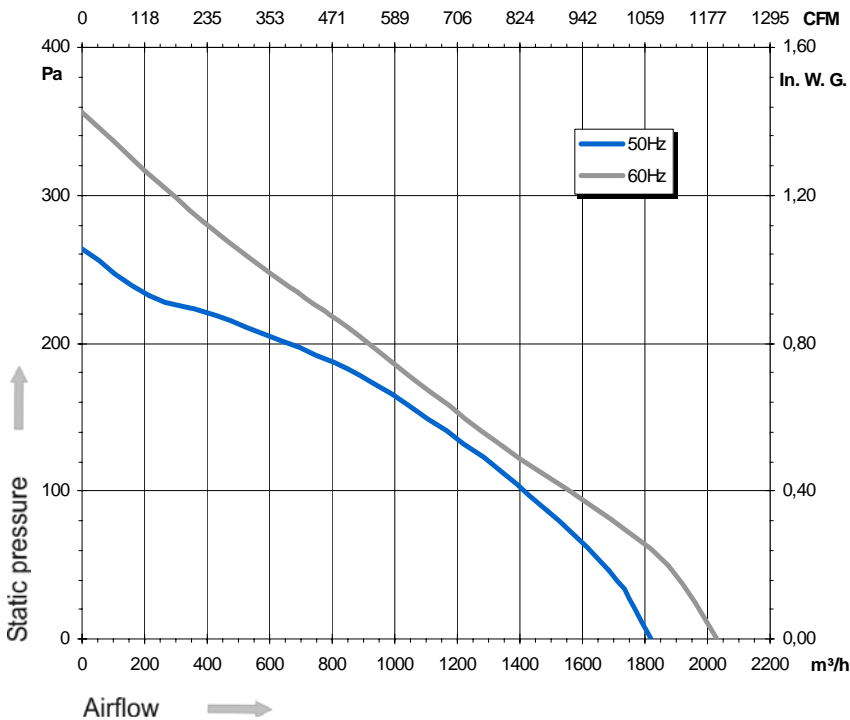
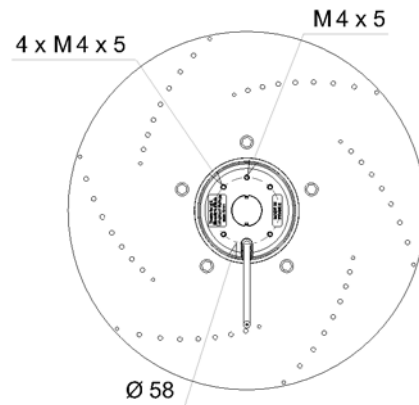
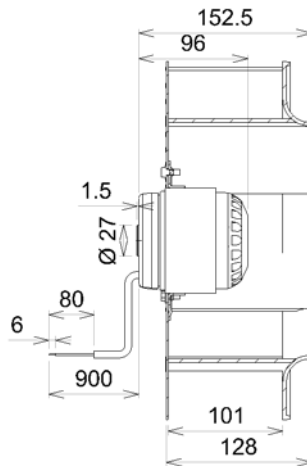
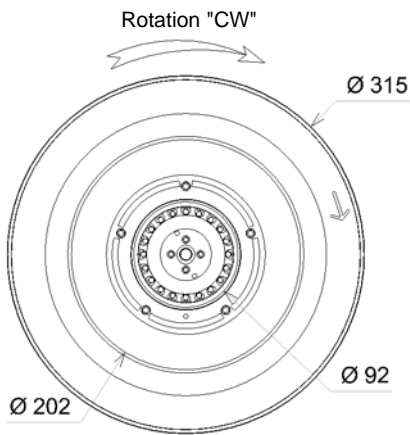


Ind. 0 - Revision : 09-2005

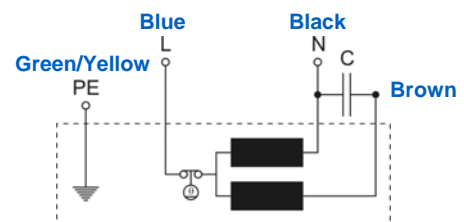
4RREu45 315x101R P/N B11-A9



Voltage	Frequency	Input power	Current	Capacitor	Airflow	Speed rotation	Noise level	Rotation direction	Operating temperature
V	Hz	Wa	A	µF	m³/h	RPM	dBA	↻	Min / Max
115	50	117	1,02	14,0	1 820	1 355	62	R	-40°C / +70°C
115	60	156	1,36	14,0	2 030	1 520	65	R	-40°C / +70°C



- Ball bearing
- Class F, thermally protected
- IP44 protection
- G2.5 balancing
- Rotor : black paint
- PA 6/6 UL 94 V-0 plastic impeller
- UL approved motor



Capacitor for 50Hz	Capacitor for 60Hz	Inlet cone
19224-0	19224-0	16151-d

Non contractual document. All specifications are subject to change without prior notice. Picture for information only.