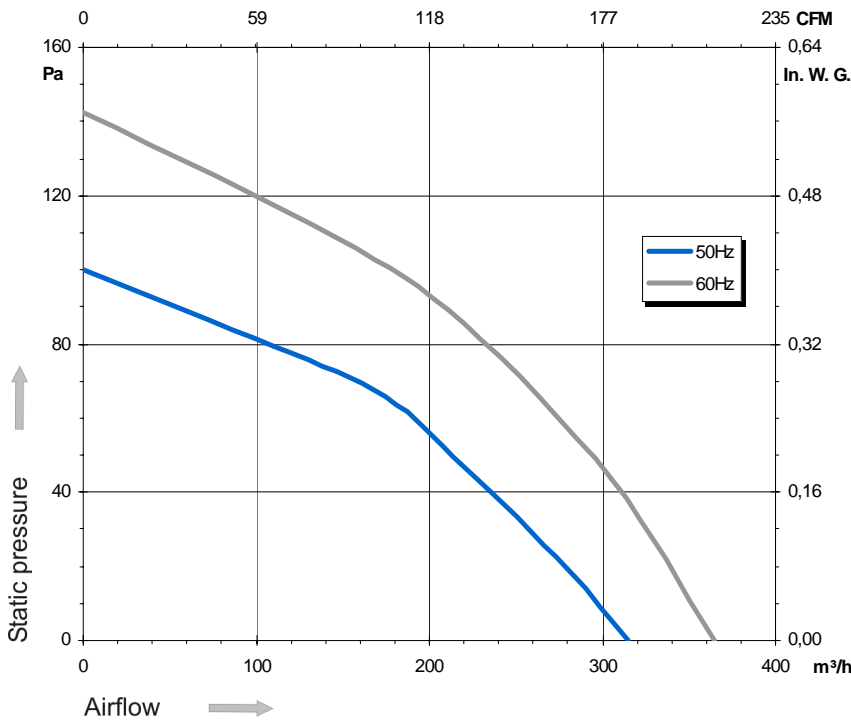
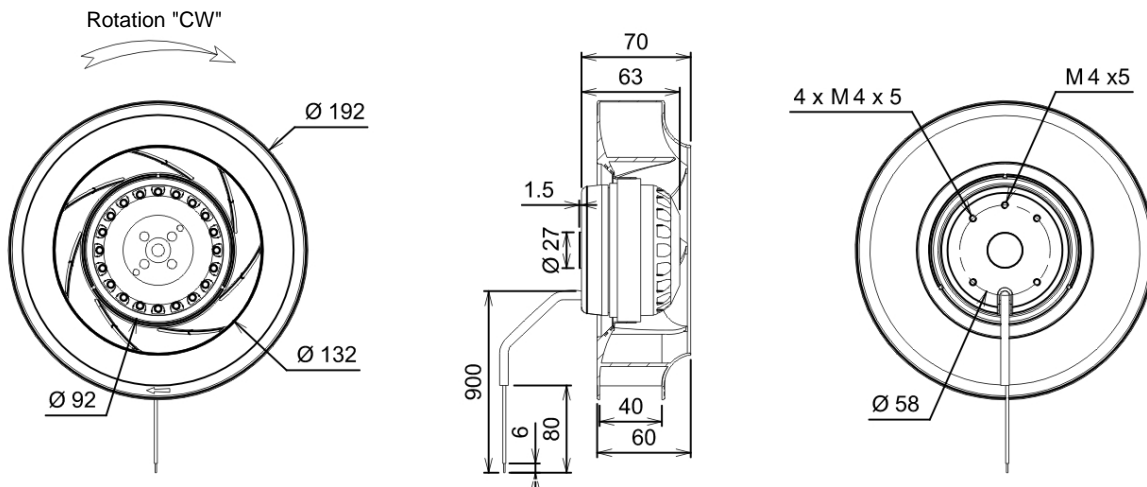


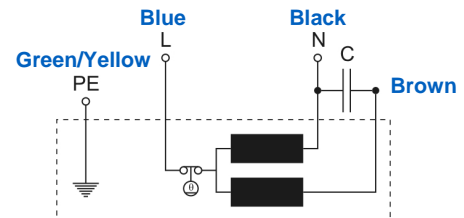
Ind. c - Revision : 11-2003

4RREu15 192x40R P/N X39-04

Voltage	Frequency	Input power	Current	Capacitor	Airflow	Speed rotation	Noise level	Rotation direction	Operating temperature
V	Hz	Wa	A	µF	m³/h	RPM	dBA	↻	Min / Max
230	50	32	0,15	1,5	315	1 405	52	R	-40°C / +70°C
230	60	31	0,14	1,5	365	1 670	56	R	-40°C / +70°C



- Ball bearing
- Class F, thermally protected
- IP44 protection
- G2.5 balancing
- Rotor : black paint
- PP UL 94 V-0 plastic impeller
- UL approved motor



Capacitor for 50Hz	Capacitor for 60Hz	Zinc Coated	Inlet cone
19208-0	19208-0	21181-a	16043-a

Non contractual document. All specifications are subject to change without prior notice. Picture for information only.