

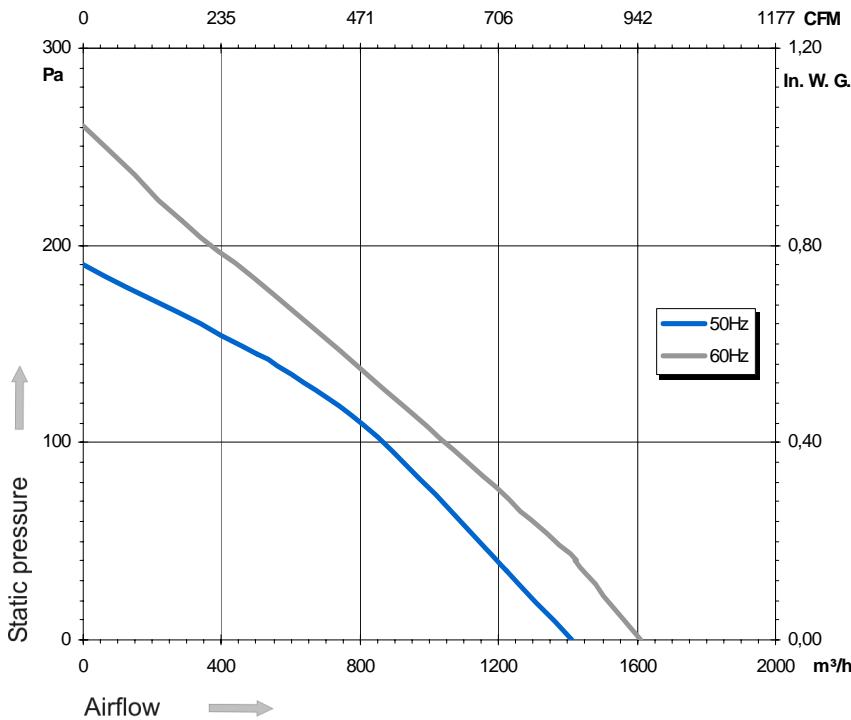
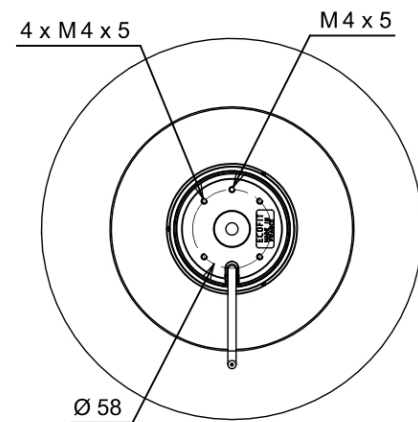
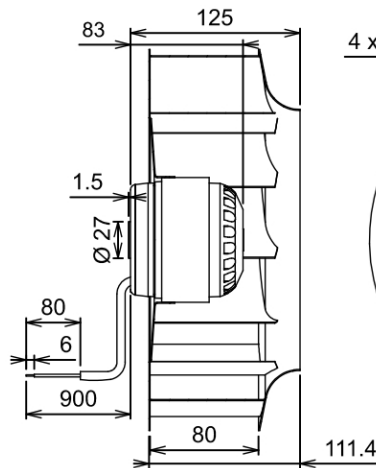
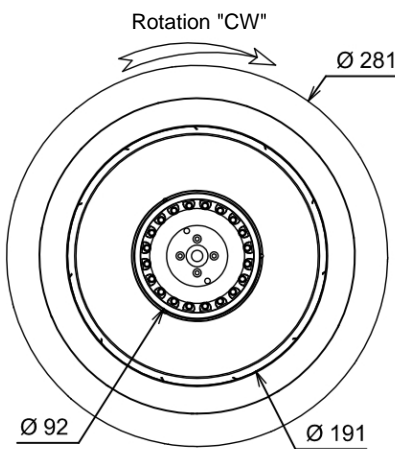
Ind. c - Revision : 11-2003

4RRE35 280x80R

P/N Z19-03

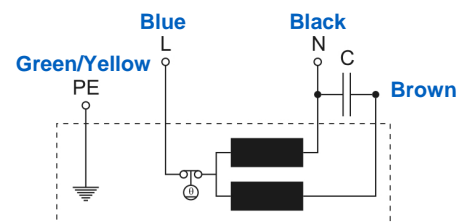


Voltage	Frequency	Input power	Current	Capacitor	Airflow	Speed rotation	Noise level	Rotation direction	Operating temperature
V	Hz	Wa	A	µF	m³/h	RPM	dBA	↻	Min / Max
230	50	86	0,41	2,5	1 410	1 365	61	R	-20°C / +60°C
230	60	91	0,44	2,5	1 610	1 585	64	R	-20°C / +60°C



- Ball bearing
- Class F, thermally protected
- IP44 protection
- G2.5 balancing
- Rotor : black paint
- Galvanized steel impeller

Capacitor for 50Hz	Capacitor for 60Hz	Inlet cone
19011-0	19011-0	16168-0



Non contractual document. All specifications are subject to change without prior notice. Picture for information only.