

Ind. a - Revision : 11-2003

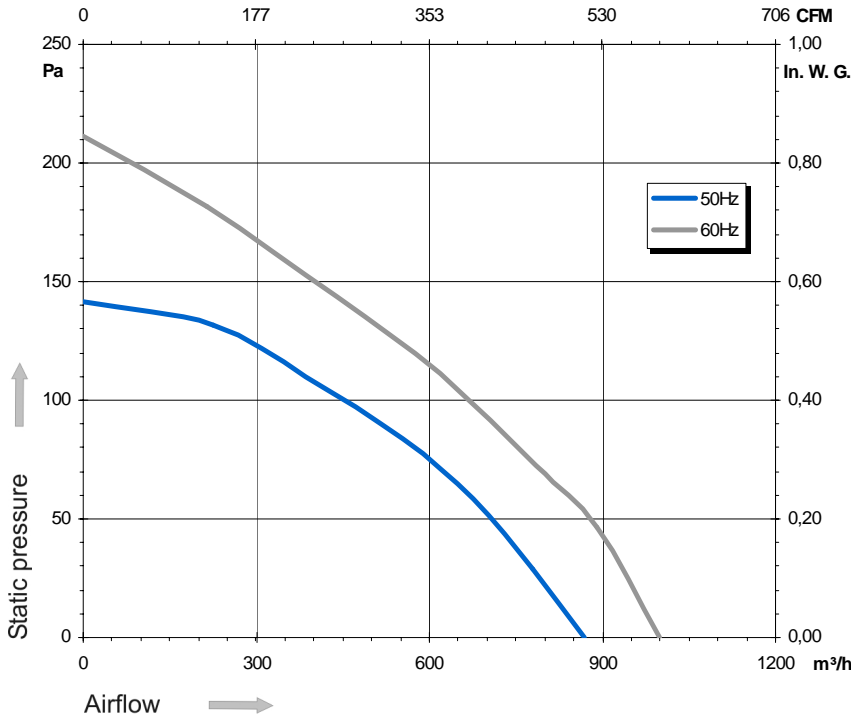
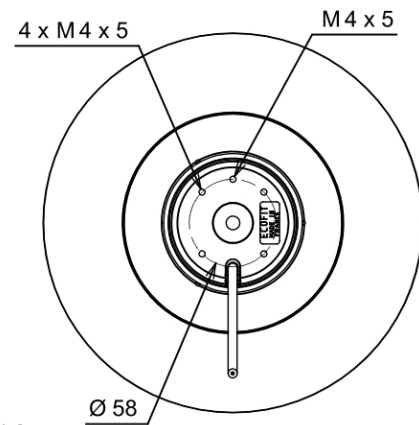
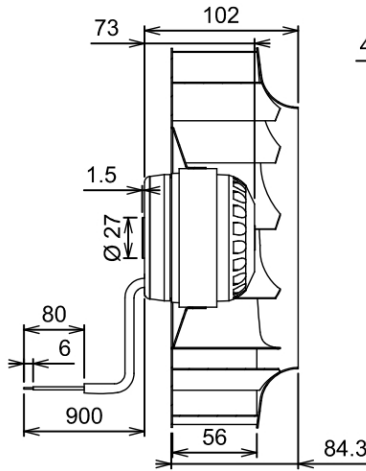
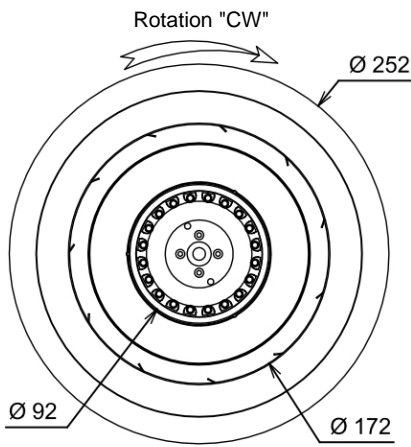
4RRE25 250x56R

P/N Z19-02

Substitute for L03-17

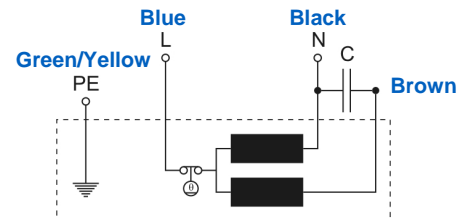


Voltage	Frequency	Input power	Current	Capacitor	Airflow	Speed rotation	Noise level	Rotation direction	Operating temperature
V	Hz	Wa	A	µF	m³/h	RPM	dBA	↻	Min / Max
230	50	47	0,21	1,5	870	1 395	60	R	-20°C / +70°C
230	60	55	0,25	1,5	1 000	1 660	64	R	-20°C / +70°C



- Ball bearing
- Class F, thermally protected
- IP44 protection
- G2.5 balancing
- Rotor : black paint
- Galvanized steel impeller

Capacitor for 50Hz	Capacitor for 60Hz	Inlet cone
19005-0	19005-0	16114-0



Non contractual document. All specifications are subject to change without prior notice. Picture for information only.