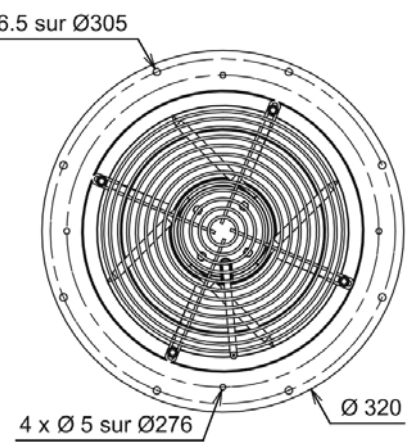
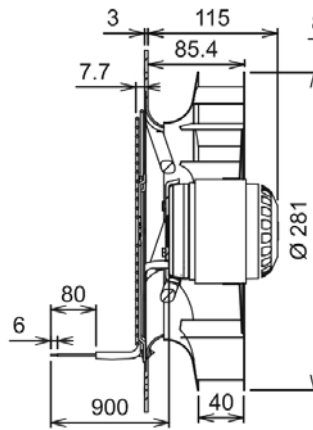
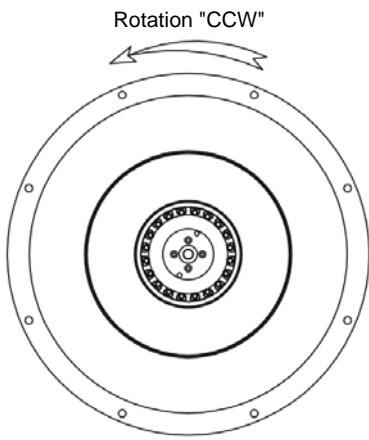


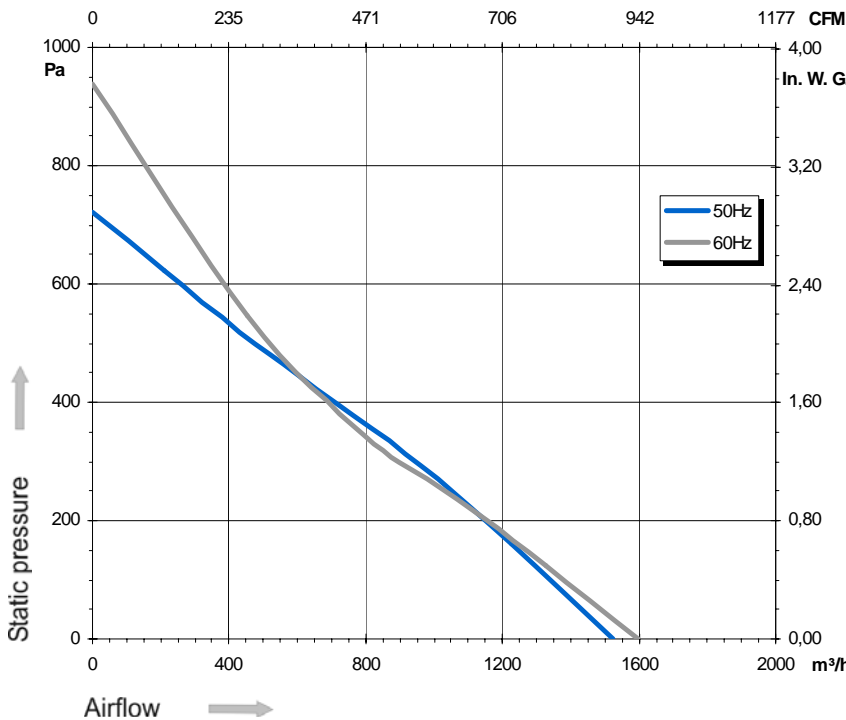
Ind. 0 - Revision : 01-2004

2RREu45 280x40R P/N C41-B4

Voltage	Frequency	Input power	Current	Capacitor	Airflow	Speed rotation	Noise level	Rotation direction	Operating temperature
V	Hz	Wa	A	µF	m³/h	RPM	dBA	↻	Min / Max
230	50	211	0,92	7,0	1 525	2 675	77	L	-40°C / +60°C
230	60	301	1,31	7,0	1 595	2 875	81	L	-40°C / +70°C



Non contractual document. All specifications are subject to change without prior notice. Picture for information only.



- Ball bearing
- Class F, thermally protected
- IP44 protection
- G2.5 balancing
- Galvanized steel impeller
- Rotor : black paint
- Black painted aluminium reversed-inletcone
- Finger guard
- UL approved motor



Capacitor for 50Hz	Capacitor for 60Hz
19227-0	19227-0

