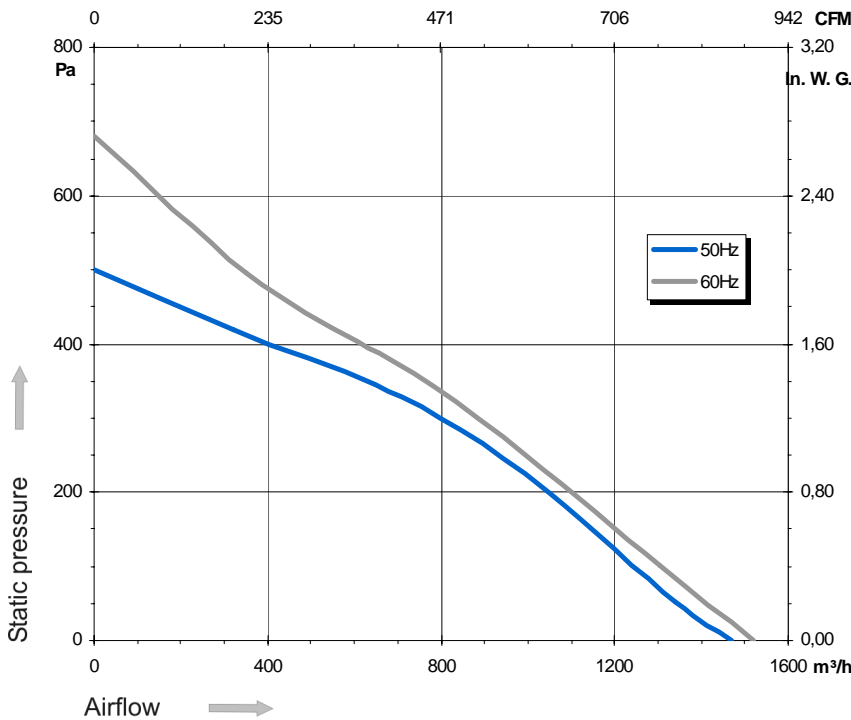
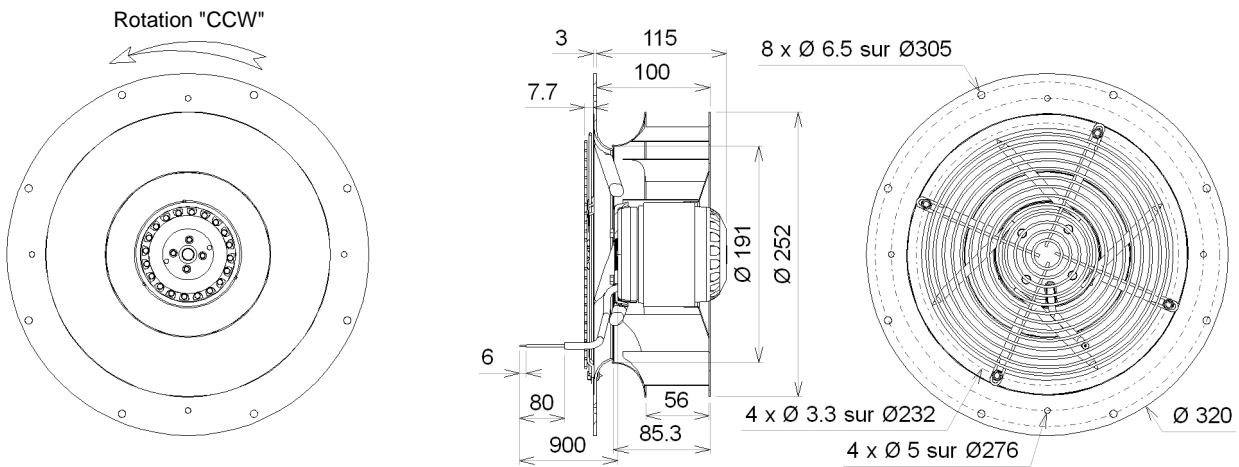


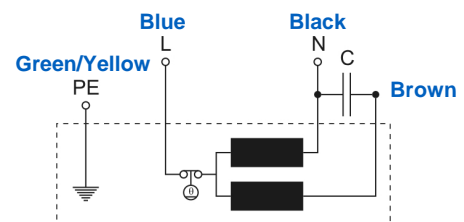
Ind. a - Revision : 11-2004

## 2RREu45 250x56R P/N C45-D2

Voltage	Frequency	Input power	Current	Capacitor	Airflow	Speed rotation	Noise level	Rotation direction	Operating temperature
V	Hz	Wa	A	µF	m³/h	RPM	dBA	↻	Min / Max
115	50	233	2,03	30,0	1 470	2 500	76	L	-40°C / +70°C
115	60	318	2,77	30,0	1 520	2 610	80	L	-40°C / +70°C



- Ball bearing
- Class F winding
- IP44 protection
- G2.5 balancing
- Galvanized steel impeller
- Rotor : black paint
- Black painted aluminium reversed-inletcone
- Finger guard
- UL approved motor



Capacitor for 50Hz	Capacitor for 60Hz
19256-0	19256-0

Non contractual document. All specifications are subject to change without prior notice. Picture for information only.