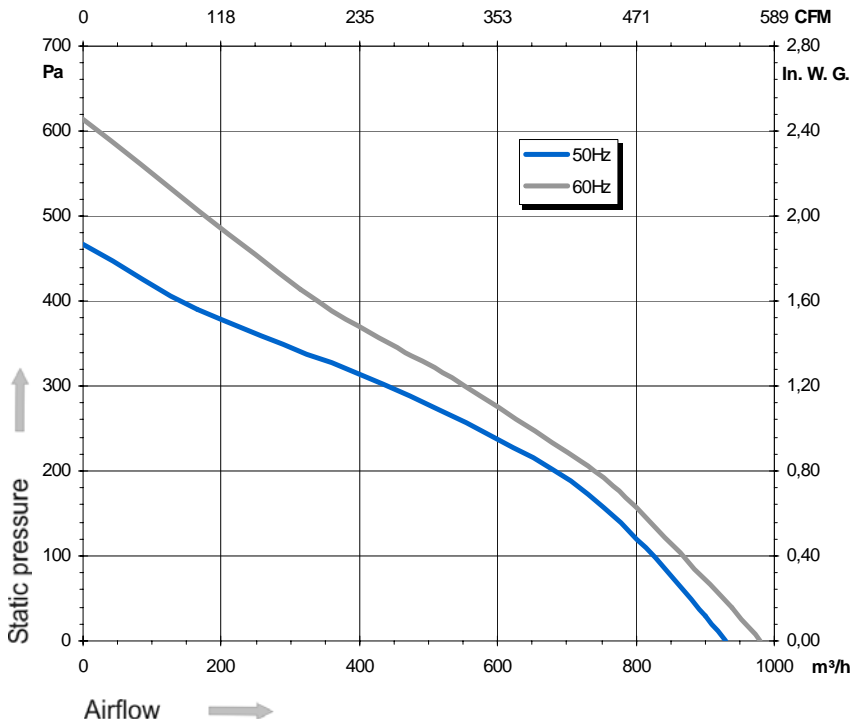
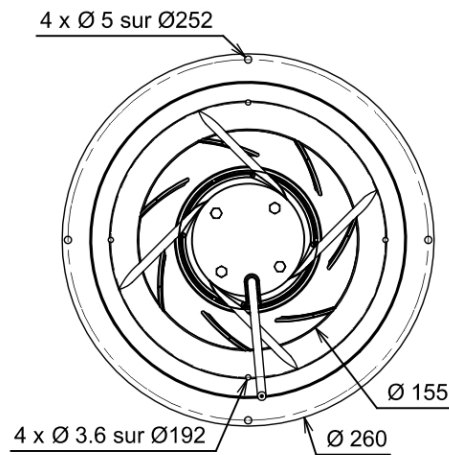
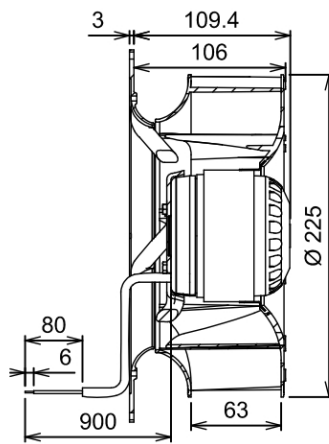
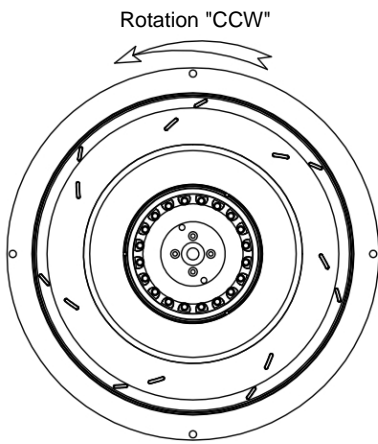


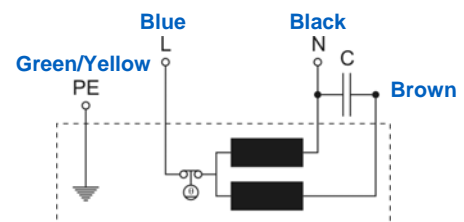
Ind. 0 - Revision : 03-2005

## 2RREu35 225x63R P/N C45-A7

Voltage	Frequency	Input power	Current	Capacitor	Airflow	Speed rotation	Noise level	Rotation direction	Operating temperature
V	Hz	Wa	A	µF	m³/h	RPM	dBA	↻	Min / Max
115	50	155	1,35	18,0	930	2 495	71	L	-40°C / +70°C
115	60	208	1,81	18,0	980	2 615	74	L	-40°C / +70°C



- Ball bearing
- Class F winding
- IP44 protection
- G2.5 balancing
- PA 6/6 UL 94 V-0 plastic impeller
- Rotor : black paint
- Black painted aluminium reversed-inletcone
- UL approved motor



Capacitor for 50Hz	Capacitor for 60Hz	Zinc Coated
19225-0	19225-0	21194-a

Non contractual document. All specifications are subject to change without prior notice. Picture for information only.