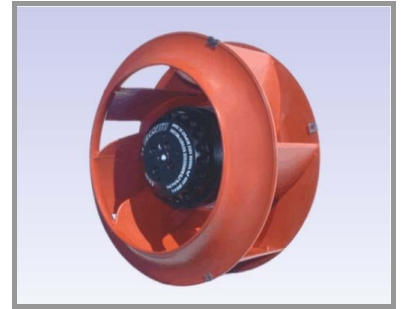
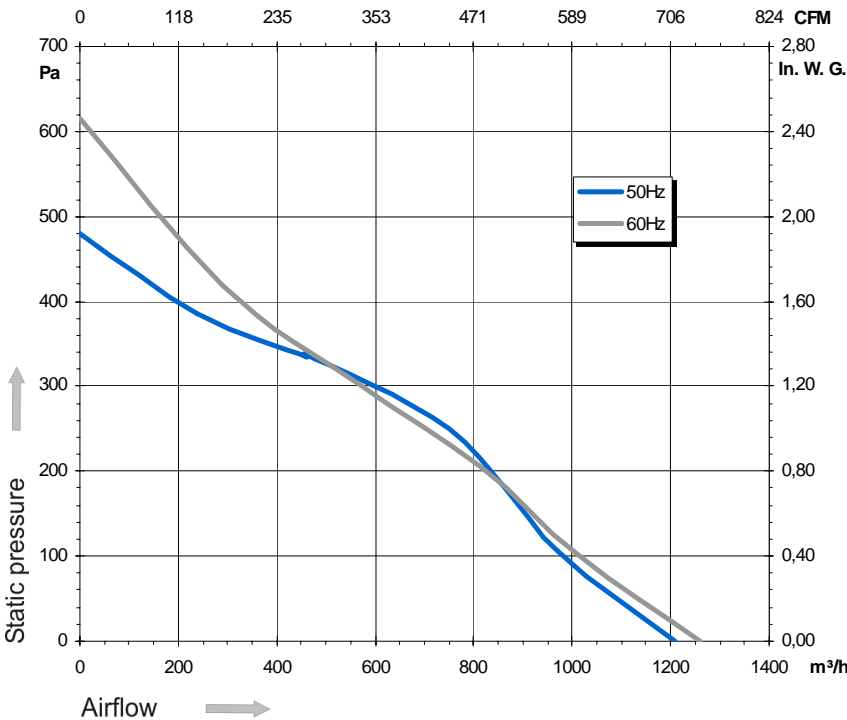
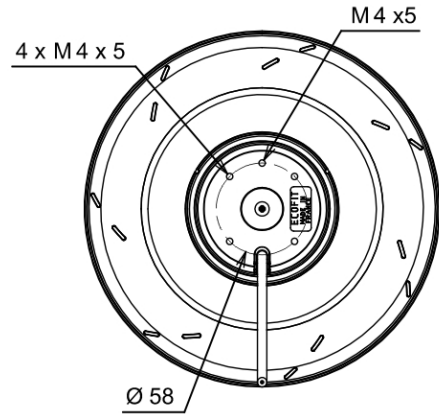
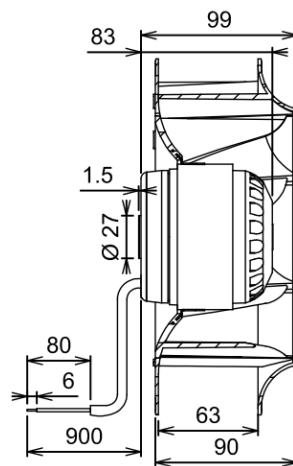
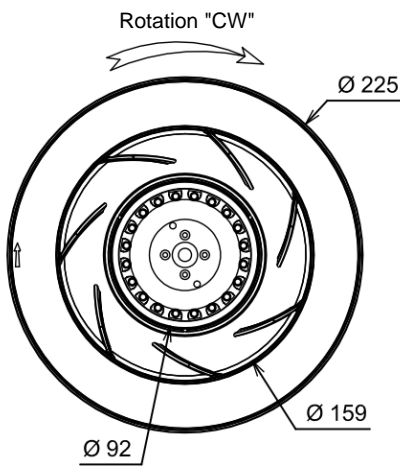


Ind. 0 - Revision : 11-2003

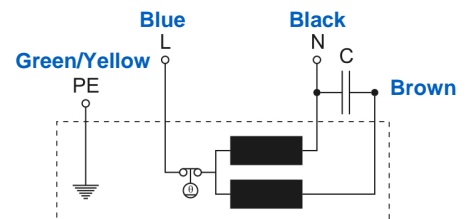
2RREu35 225x63R P/N B12-A3



Voltage	Frequency	Input power	Current	Capacitor	Airflow	Speed rotation	Noise level	Rotation direction	Operating temperature
V	Hz	Wa	A	µF	m³/h	RPM	dBA	↻	Min / Max
115	50	150	1,38	18,0	1 210	2 580	70	R	-40°C / +70°C
115	60	210	1,85	18,0	1 260	2 760	71	R	-40°C / +60°C



- Ball bearing
- Class F, thermally protected
- IP44 protection
- G2.5 balancing
- Rotor : black paint
- PA 6/6 UL 94 V-0 plastic impeller
- UL approved motor



Capacitor for 50Hz	Capacitor for 60Hz	Inlet cone	Zinc Coated
19225-0	19225-0	16133-a	21194-a

Non contractual document. All specifications are subject to change without prior notice. Picture for information only.