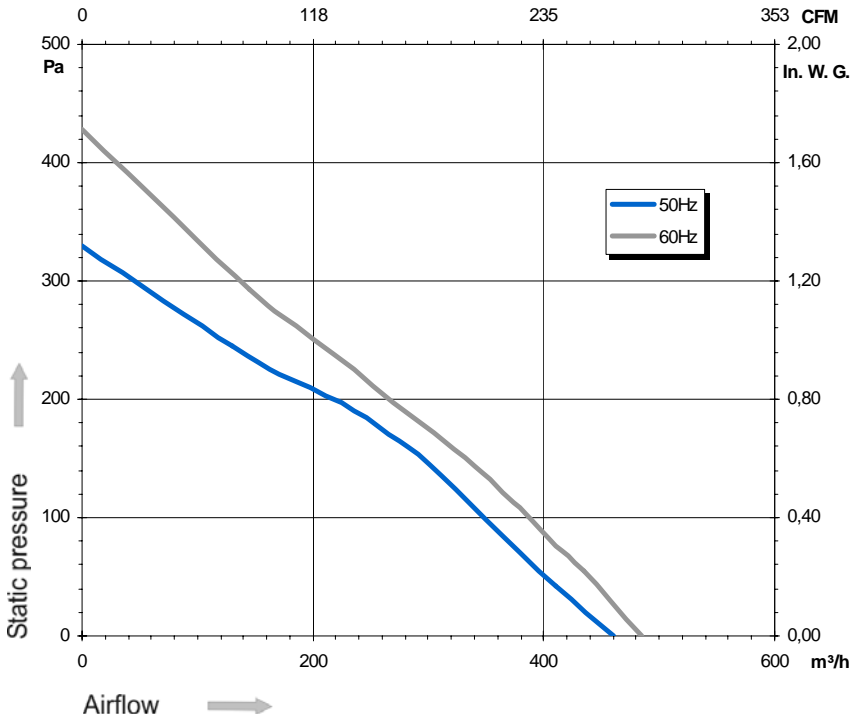
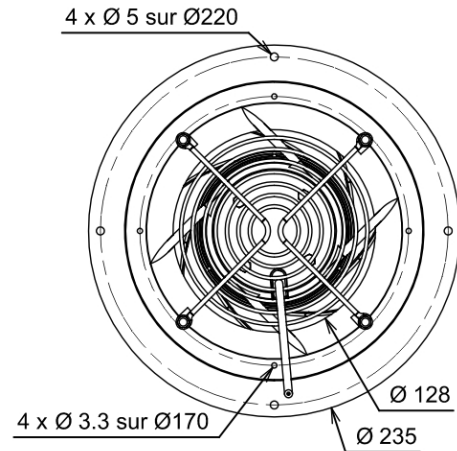
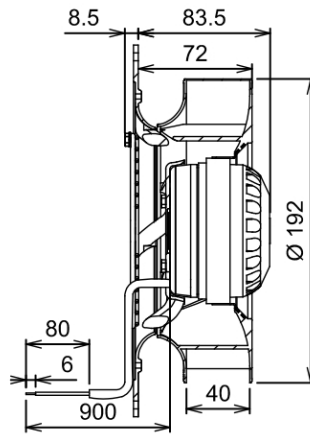
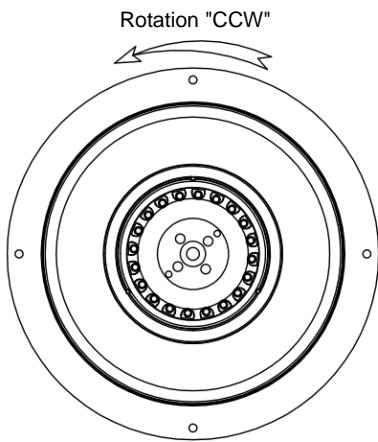


Ind. a - Revision : 03-2005

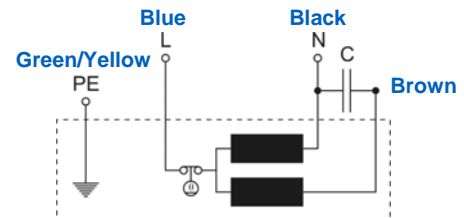
2RREu15 192x40R P/N C41-B0



Voltage	Frequency	Input power	Current	Capacitor	Airflow	Speed rotation	Noise level	Rotation direction	Operating temperature
V	Hz	Wa	A	µF	m³/h	RPM	dBA	↻	Min / Max
230	50	55	0,24	2,0	460	2 405	65	L	-40°C / +70°C
230	60	71	0,32	2,0	485	2 580	68	L	-40°C / +70°C



- Ball bearing
- Class F, thermally protected
- IP44 protection
- G2.5 balancing
- PP UL 94 V-0 plastic impeller
- Rotor : black paint
- Black painted aluminium reversed-inletcone
- Finger guard
- UL approved motor



Capacitor for 50Hz	Capacitor for 60Hz
19217-0	19217-0

Non contractual document. All specifications are subject to change without prior notice. Picture for information only.