

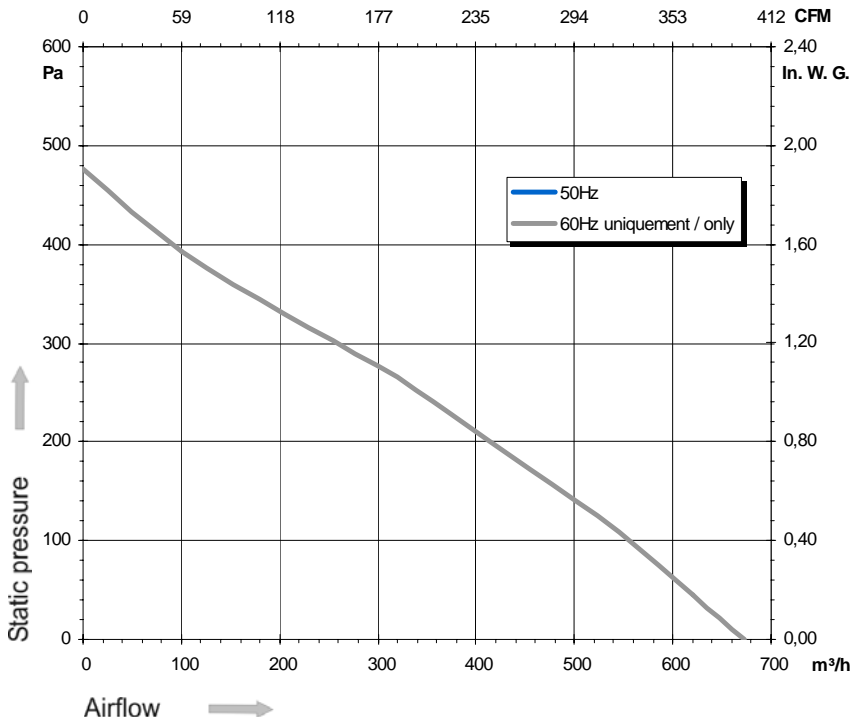
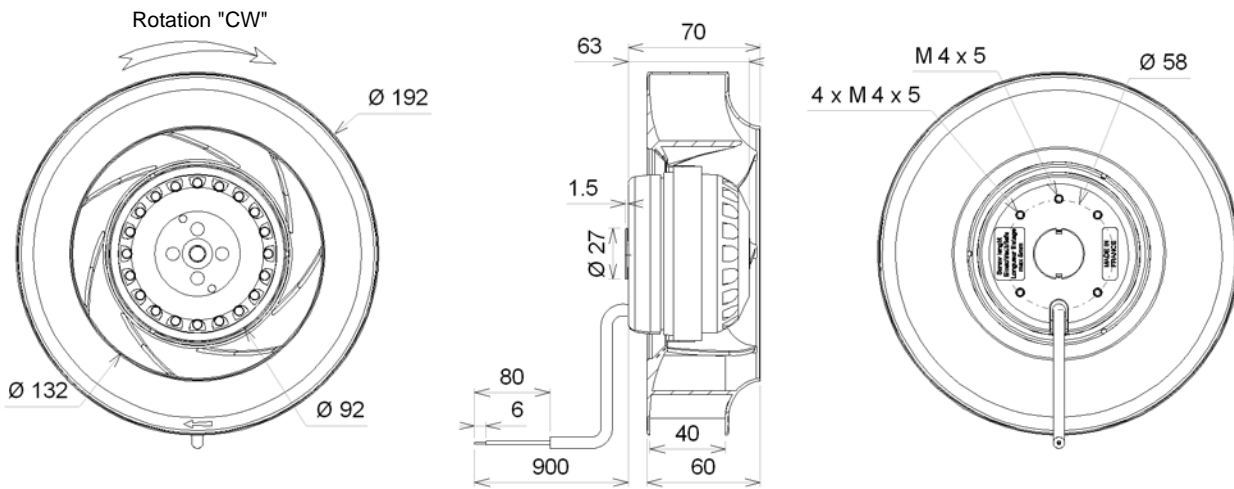


Ind. a - Revision : 04-2005

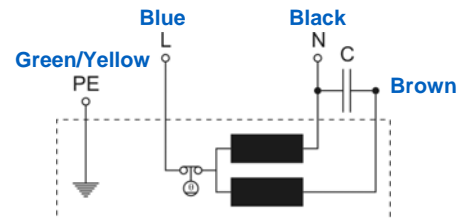
2RREu15 192x40R P/N C10-A6

Substitute for B12-A1

Voltage	Frequency	Input power	Current	Capacitor	Airflow	Speed rotation	Noise level	Rotation direction	Operating temperature
V	Hz	Wa	A	µF	m ³ /h	RPM	dBA	↻	Min / Max
115	50								
115	60	88	0,77	8,0	670	3 010	64	R	-40°C / +50°C



- Ball bearing
- Class F, thermally protected
- IP54 protection
- G2.5 balancing
- Rotor : black paint
- PP UL 94 V-0 plastic impeller
- UL approved motor



Capacitor for 50Hz	Capacitor for 60Hz	Zinc Coated	Inlet cone
-	19222-0	21181-a	16043-a

Non contractual document. All specifications are subject to change without prior notice. Picture for information only.