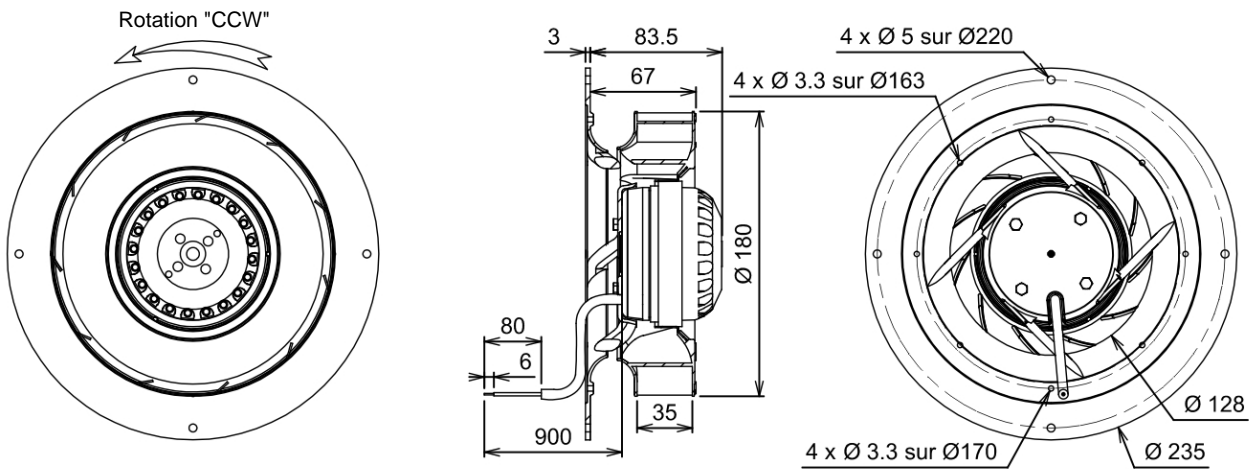


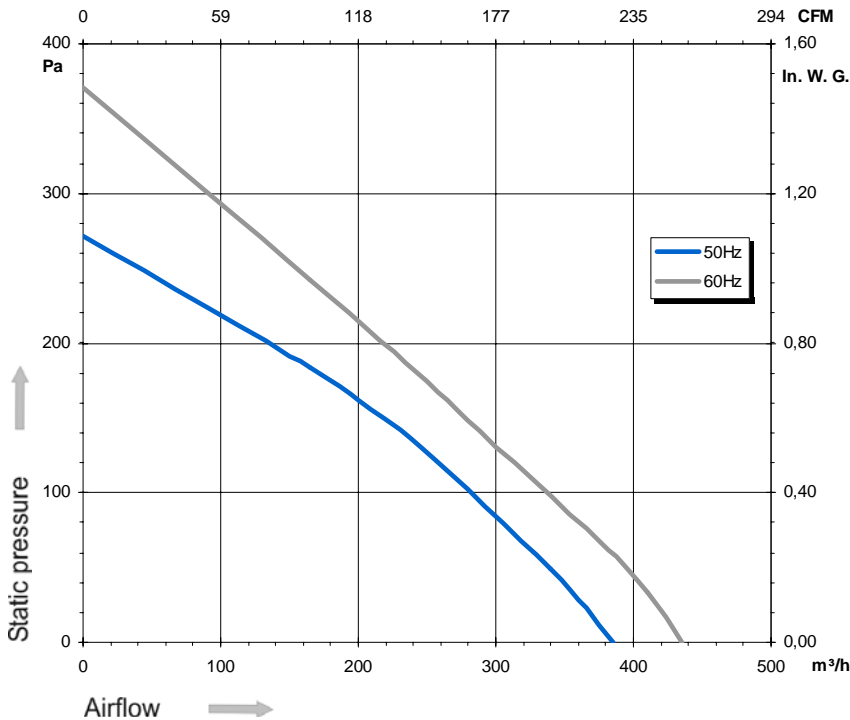
Ind. a - Revision : 03-2005

2RREu15 180x35R P/N C36-B2

Voltage	Frequency	Input power	Current	Capacitor	Airflow	Speed rotation	Noise level	Rotation direction	Operating temperature
V	Hz	Wa	A	µF	m³/h	RPM	dBA	↻	Min / Max
230	50	44	0,20	1,5	385	2 540	62	L	-40°C / +70°C
230	60	52	0,24	1,5	435	2 835	67	L	-40°C / +70°C



Non contractual document. All specifications are subject to change without prior notice. Picture for information only.



- Ball bearing
- Class F, thermally protected
- IP44 protection
- G2.5 balancing
- PP UL 94 V-0 plastic impeller
- Rotor : black paint
- Black painted aluminium reversed-inletcone
- UL approved motor



Capacitor for 50Hz	Capacitor for 60Hz	Zinc Coated
19208-0	19208-0	21366-0

