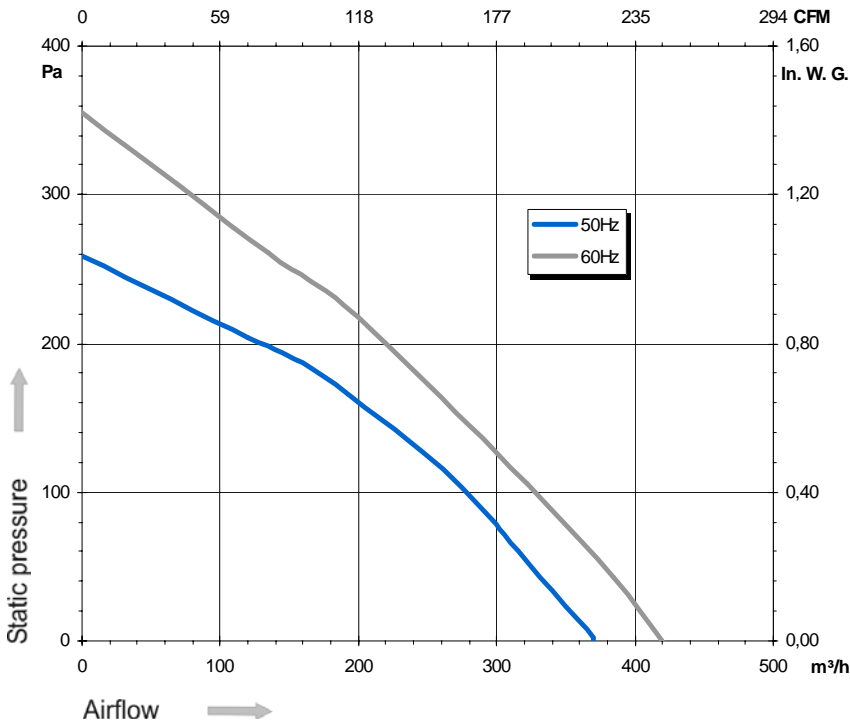
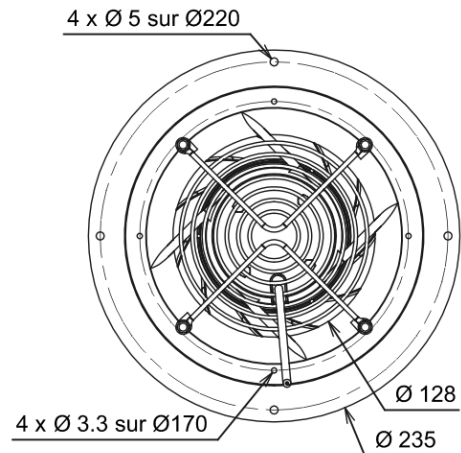
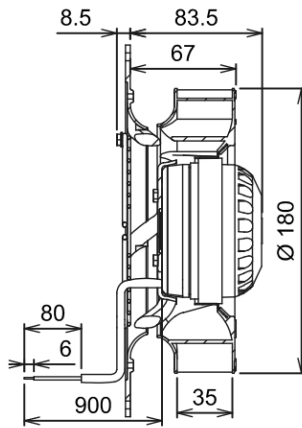
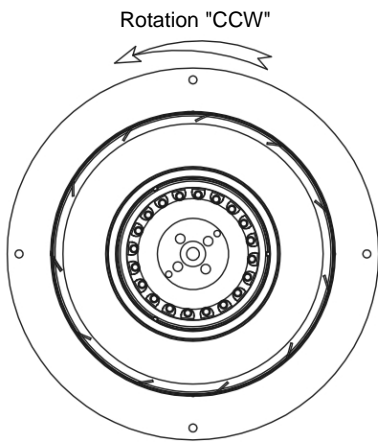


Ind. a - Revision : 03-2005

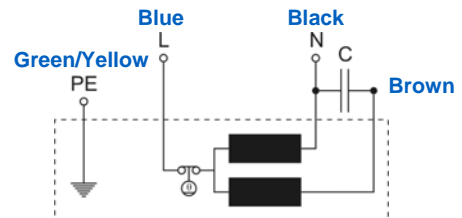
2RREu15 180x35R P/N C45-C8



Voltage	Frequency	Input power	Current	Capacitor	Airflow	Speed rotation	Noise level	Rotation direction	Operating temperature
V	Hz	Wa	A	µF	m³/h	RPM	dBA	↻	Min / Max
115	50	48	0,45	5,0	370	2 640	62	L	-40°C / +70°C
115	60	57	0,50	5,0	420	2 980	67	L	-40°C / +70°C



- Ball bearing
- Class F winding
- IP44 protection
- G2.5 balancing
- PP UL 94 V-0 plastic impeller
- Rotor : black paint
- Black painted aluminium reversed-inletcone
- Finger guard
- UL approved motor



Capacitor for 50Hz	Capacitor for 60Hz
19216-0	19216-0

Non contractual document. All specifications are subject to change without prior notice. Picture for information only.