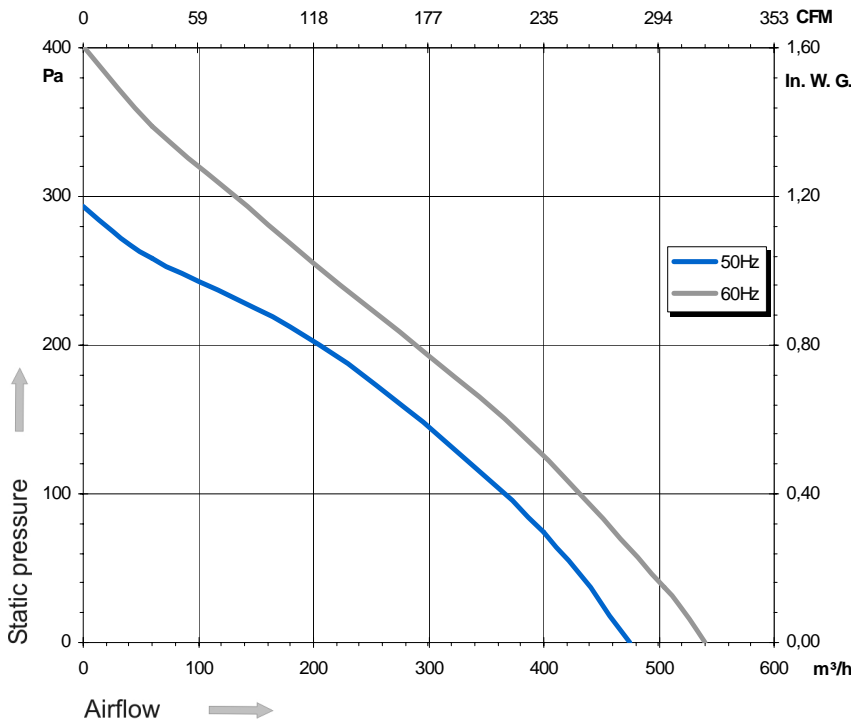
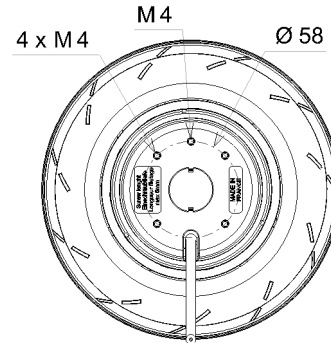
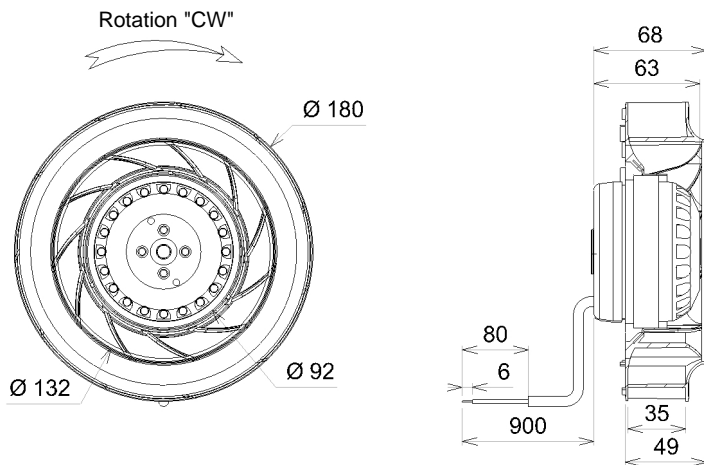


Ind. a - Revision : 09-2004

2RREu15 180x35R P/N B12-A0

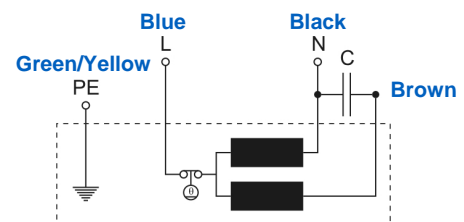
Voltage	Frequency	Input power	Current	Capacitor	Airflow	Speed rotation	Noise level	Rotation direction	Operating temperature
V	Hz	Wa	A	µF	m³/h	RPM	dBA	↻	Min / Max
115	50	53	0,48	6,0	475	2 635	61	R	-40°C / +70°C
115	60	64	0,56	6,0	540	2 945	64	R	-40°C / +70°C



- Ball bearing
- Class F, thermally protected
- IP44 protection
- G2.5 balancing
- Rotor : black paint
- PA 6/6 UL 94 V-0 plastic impeller
- UL approved motor



Capacitor for 50Hz	Capacitor for 60Hz	Zinc Coated	Inlet cone
19221-0	19221-0	21181-a	16043-a



Non contractual document. All specifications are subject to change without prior notice. Picture for information only.