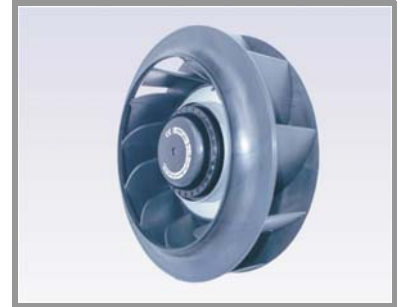


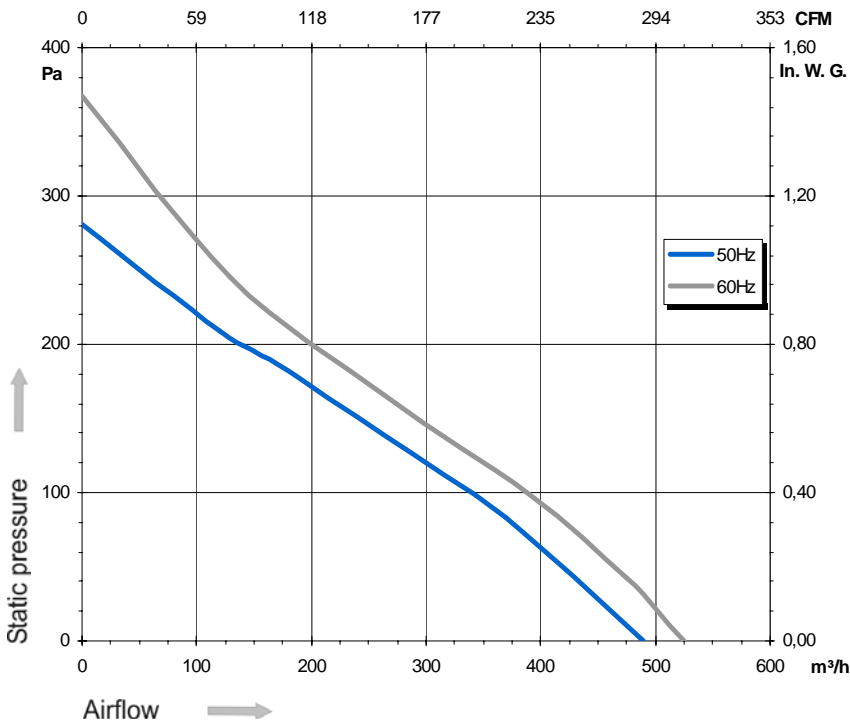
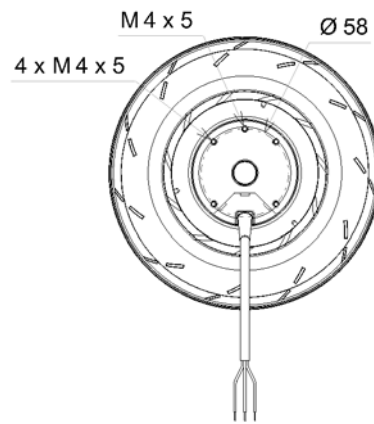
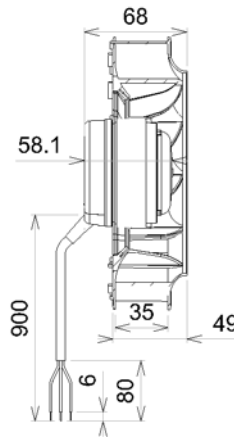
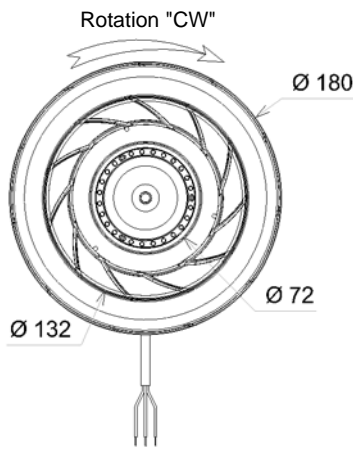
Ind. 0 - Revision : 09-2004

2RREA3 180x35R P/N D04-A6

Substitute for A04-A7

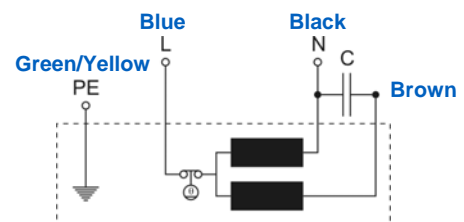


Voltage	Frequency	Input power	Current	Capacitor	Airflow	Speed rotation	Noise level	Rotation direction	Operating temperature
V	Hz	Wa	A	µF	m³/h	RPM	dBA	↻	Min / Max
230	50	39	0,18	1,5	490	2 440	58	R	-20°C / +70°C
230	60	48	0,21	1,5	540	2 675	60	R	-20°C / +70°C



- Ball bearing
- Class F, thermally protected
- IP44 protection
- G2.5 balancing
- Rotor : black paint
- PP plastic impeller

Capacitor for 50Hz	Capacitor for 60Hz	Zinc Coated	Inlet cone
19005-0	19005-0	21181-a	16043-a



Non contractual document. All specifications are subject to change without prior notice. Picture for information only.