

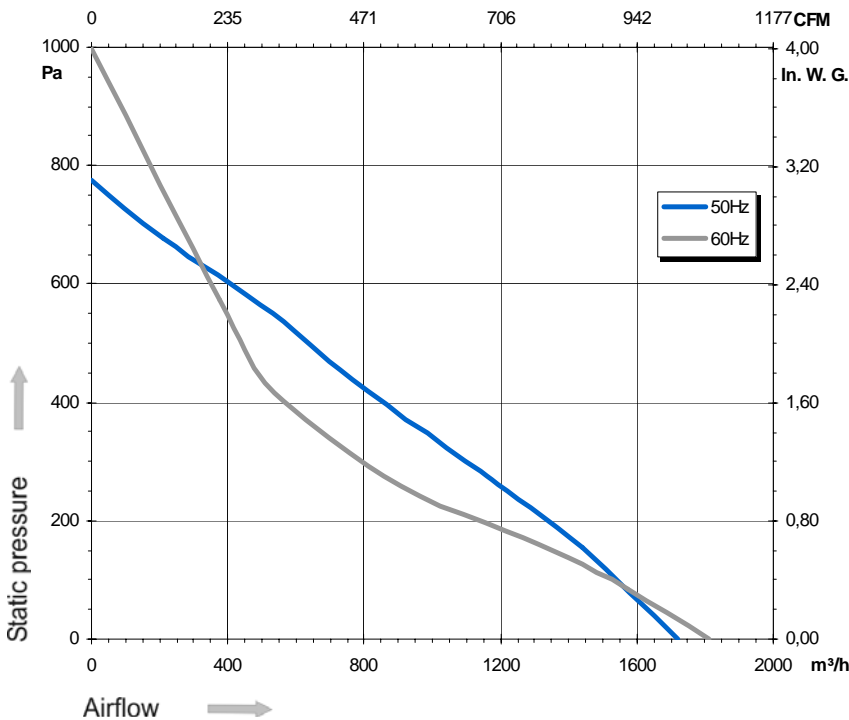
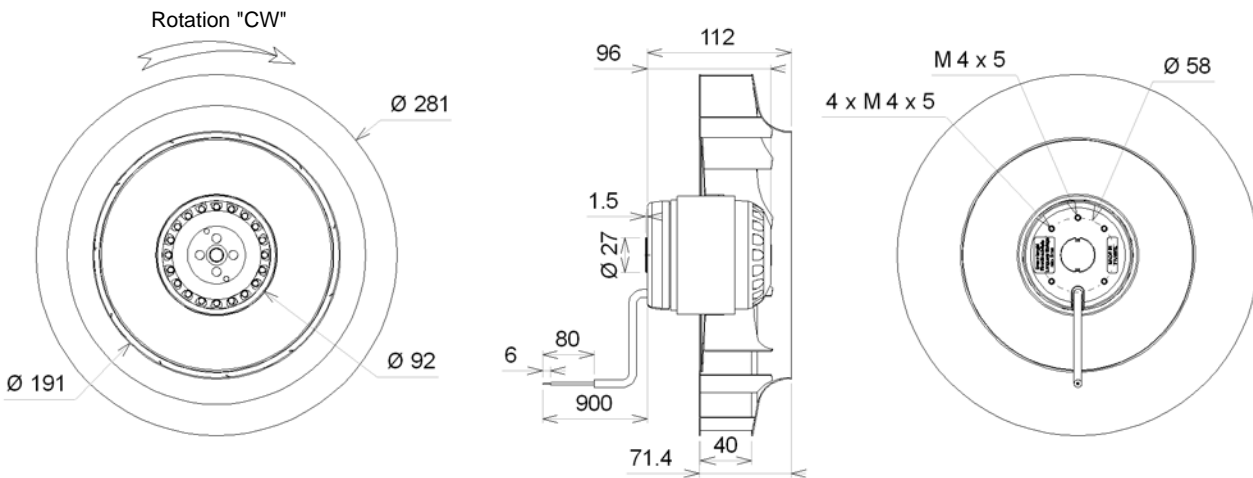
Ind. a - Revision : 03-2005

2RRE45 280x40R

P/N Z19-07

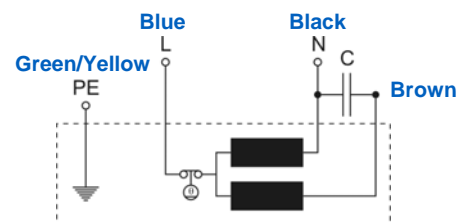


Voltage	Frequency	Input power	Current	Capacitor	Airflow	Speed rotation	Noise level	Rotation direction	Operating temperature
V	Hz	Wa	A	µF	m³/h	RPM	dBA	↻	Min / Max
230	50	206	0,99	8,0	1 720	2 715	71	R	-20°C / +70°C
230	60	293	1,28	6,0	1 810	2 930	71	R	-20°C / +60°C



- Ball bearing
- Class F, thermally protected
- IP44 protection
- G2.5 balancing
- Rotor : black paint
- Galvanized steel impeller

Capacitor for 50Hz	Capacitor for 60Hz	Inlet cone
19147-0	19016-a	16168-0



Non contractual document. All specifications are subject to change without prior notice. Picture for information only.