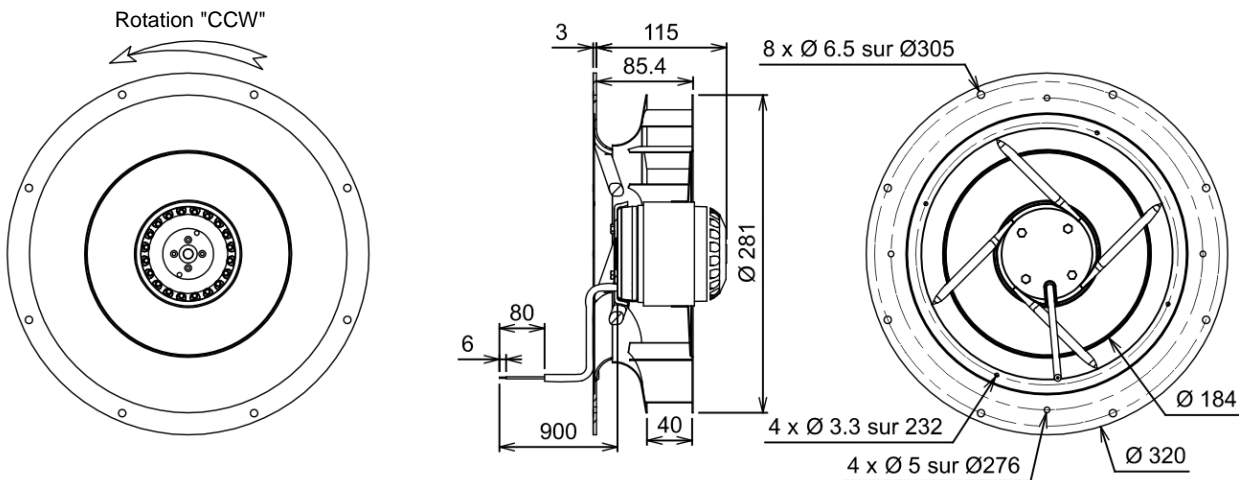


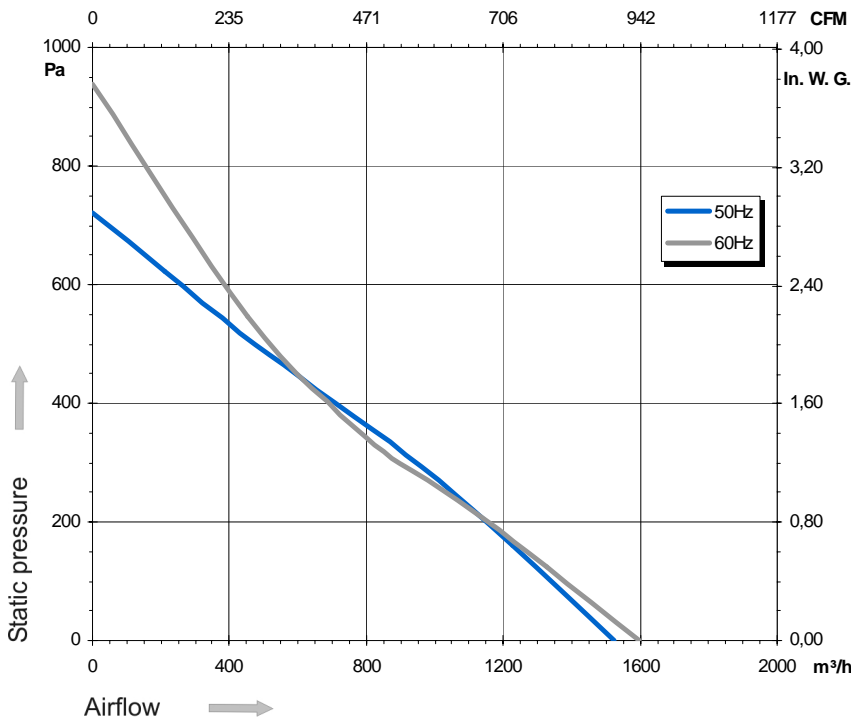
Ind. a - Revision : 09-2004

## 2RRE45 280x40R P/N C36-A7

| Voltage | Frequency | Input power | Current | Capacitor | Airflow | Speed rotation | Noise level | Rotation direction | Operating temperature |
|---------|-----------|-------------|---------|-----------|---------|----------------|-------------|--------------------|-----------------------|
| V       | Hz        | Wa          | A       | µF        | m³/h    | RPM            | dBA         | ↻                  | Min / Max             |
| 230     | 50        | 211         | 0,92    | 7,0       | 1 525   | 2 675          | 77          | L                  | -20°C / +60°C         |
| 230     | 60        | 301         | 1,31    | 7,0       | 1 595   | 2 875          | 81          | L                  | -20°C / +60°C         |



Non contractual document. All specifications are subject to change without prior notice. Picture for information only.



- Ball bearing
- Class F, thermally protected
- IP44 protection
- G2.5 balancing
- Galvanized steel impeller
- Rotor : black paint
- Black painted aluminium reversed-inletcone

| Capacitor for 50Hz | Capacitor for 60Hz | Zinc Coated |
|--------------------|--------------------|-------------|
| 19248-0            | 19248-0            | 21360-0     |

