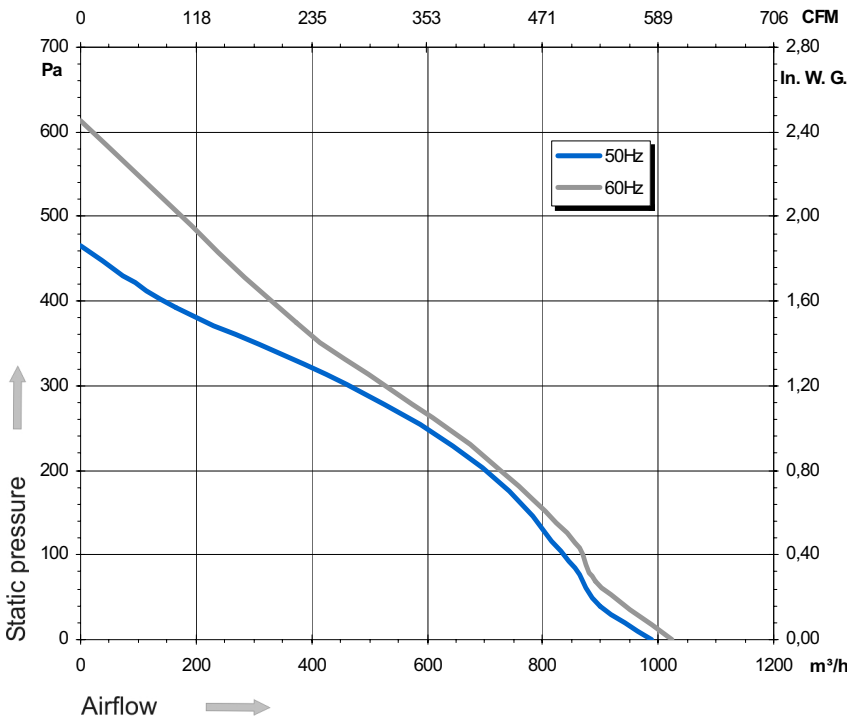
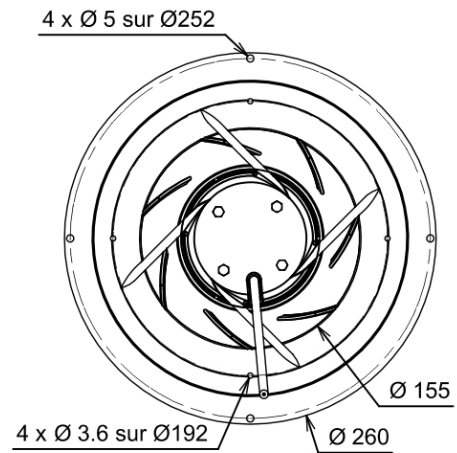
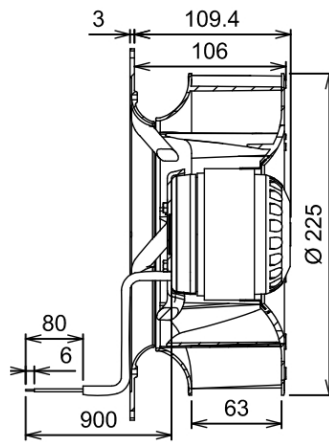
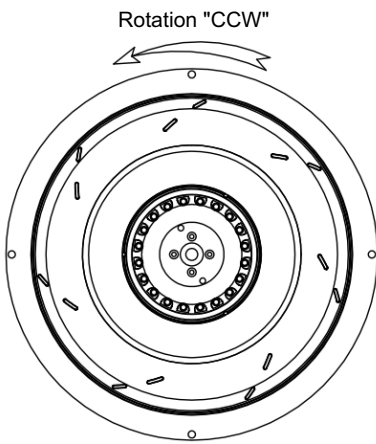


Ind. 0 - Revision : 12-2003

2RRE35 225x63R P/N C36-A5

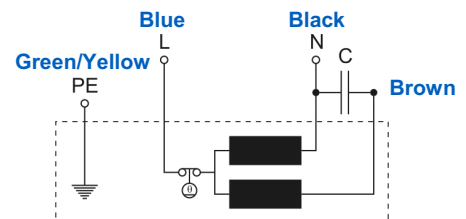


Voltage	Frequency	Input power	Current	Capacitor	Airflow	Speed rotation	Noise level	Rotation direction	Operating temperature
V	Hz	Wa	A	µF	m³/h	RPM	dBA	↻	Min / Max
230	50	153	0,67	3,5	990	2 510	71	L	-20°C / +70°C
230	60	203	0,90	3,5	1 025	2 580	74	L	-20°C / +70°C



- Ball bearing
- Class F, thermally protected
- IP44 protection
- G2.5 balancing
- PA 6/6 plastic impeller
- Rotor : black paint
- Black painted aluminium reversed-inletcone

Capacitor for 50Hz	Capacitor for 60Hz	Zinc Coated
19049-0	19049-0	21194-a



Non contractual document. All specifications are subject to change without prior notice. Picture for information only.