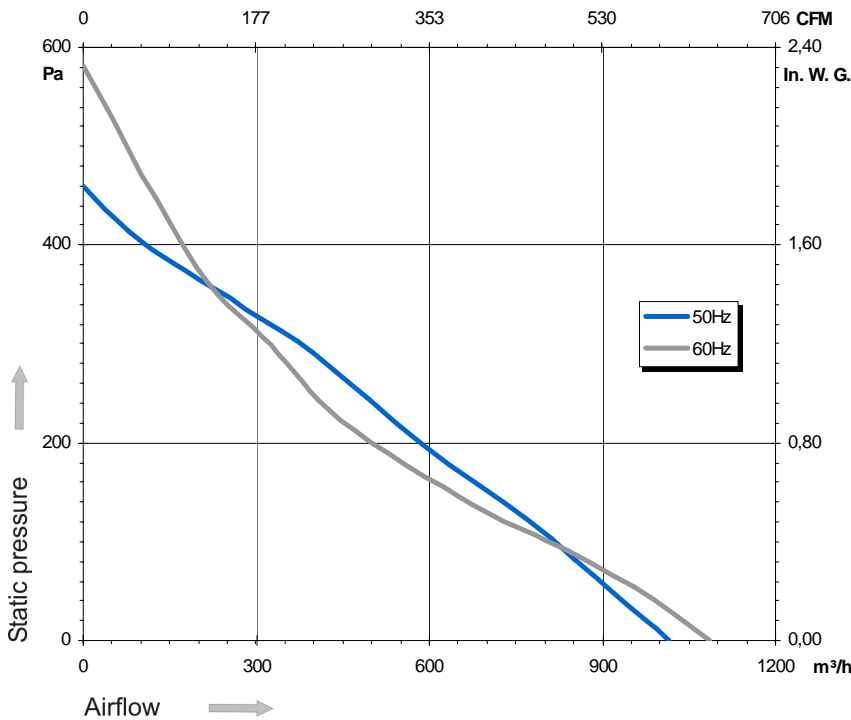
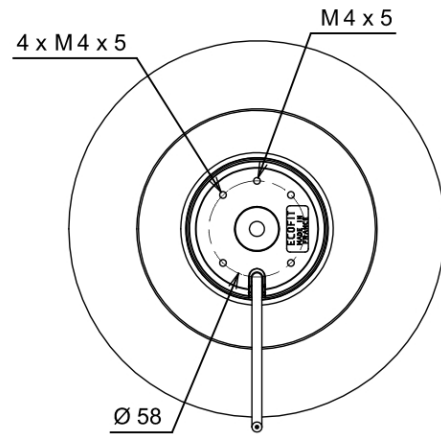
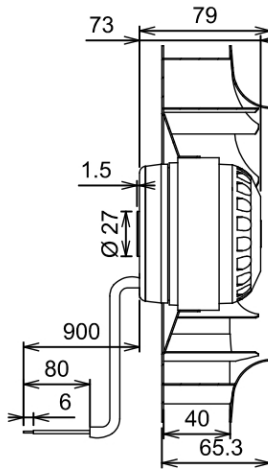
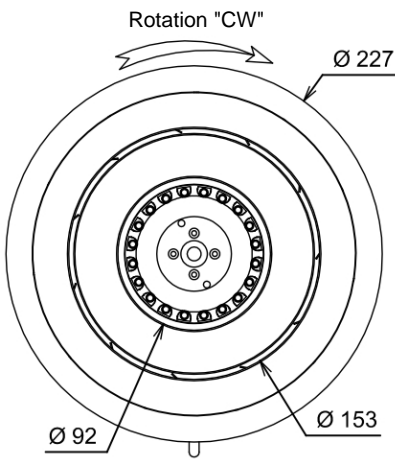


Ind. b - Revision : 11-2003

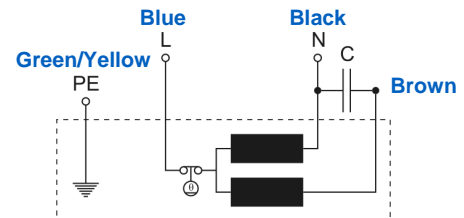
## 2RRE25 225x40R P/N H06-16

Voltage	Frequency	Input power	Current	Capacitor	Airflow	Speed rotation	Noise level	Rotation direction	Operating temperature
V	Hz	Wa	A	µF	m³/h	RPM	dBA	↻	Min / Max
230	50	97	0,50	2,5	1 015	2 630	68	R	-20°C / +70°C
230	60	124	0,65	2,5	1 085	2 855	70	R	-20°C / +70°C



- Ball bearing
- Class F, thermally protected
- IP44 protection
- G2.5 balancing
- Rotor : black paint
- Galvanized steel impeller

Capacitor for 50Hz	Capacitor for 60Hz	Zinc Coated	Inlet cone
19011-0	19011-0	21194-a	16133-a



Non contractual document. All specifications are subject to change without prior notice. Picture for information only.