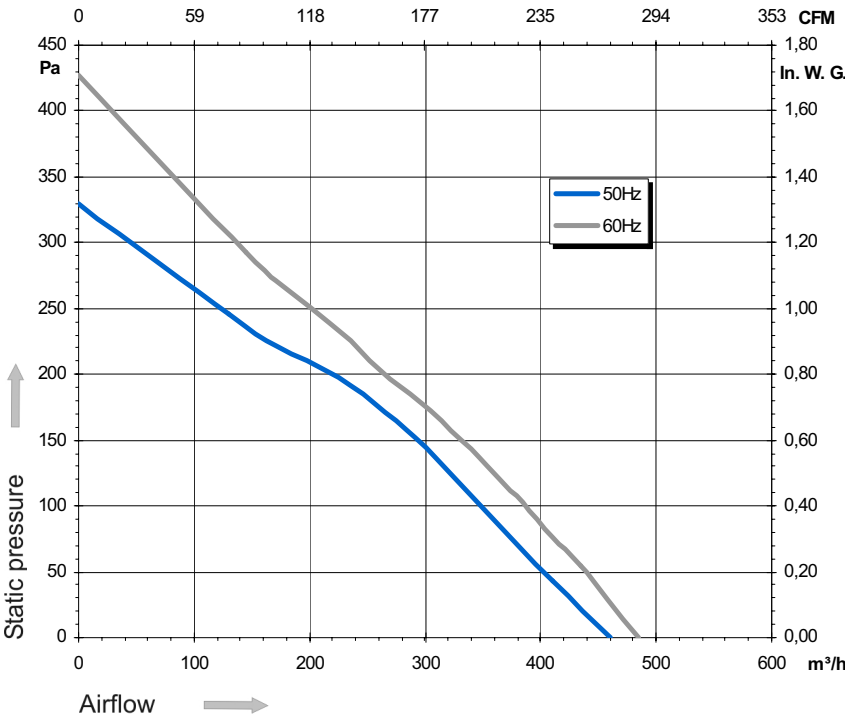
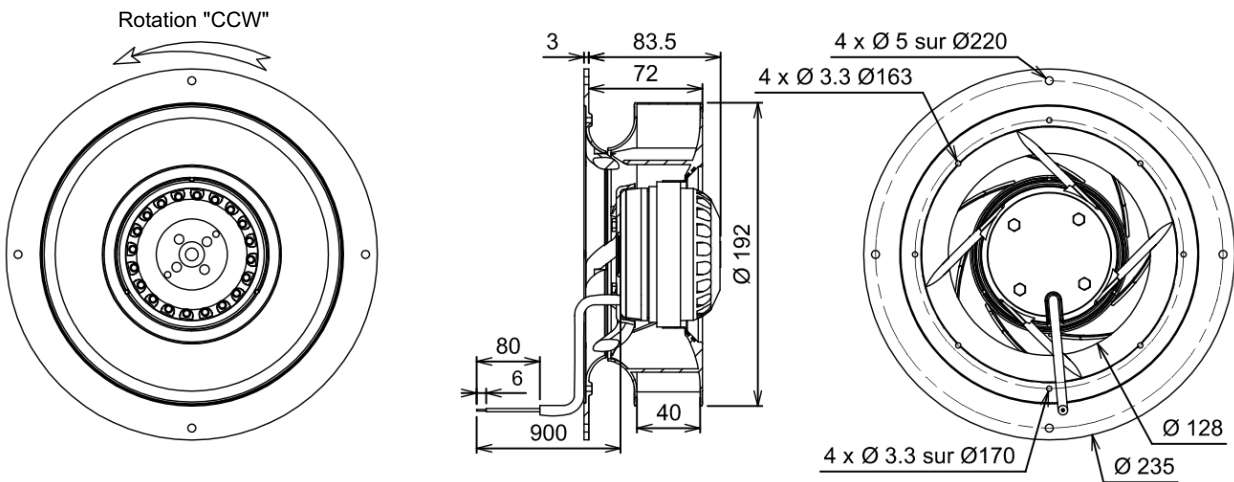


Ind. a - Revision : 12-2003

2RRE15 192x40R P/N C36-A3

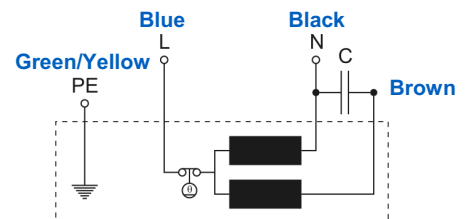


Voltage	Frequency	Input power	Current	Capacitor	Airflow	Speed rotation	Noise level	Rotation direction	Operating temperature
V	Hz	Wa	A	µF	m³/h	RPM	dBA	↻	Min / Max
230	50	55	0,24	2,0	460	2 405	65	L	-20°C / +70°C
230	60	71	0,32	2,0	485	2 580	68	L	-20°C / +70°C



- Ball bearing
- Class F, thermally protected
- IP44 protection
- G2.5 balancing
- PP plastic impeller
- Rotor : black paint
- Black painted aluminium reversed-inletcone

Capacitor for 50Hz	Capacitor for 60Hz	Zinc Coated
19008-0	19008-0	21197-a



Non contractual document. All specifications are subject to change without prior notice. Picture for information only.