

Ind. 0 - Revision : 11-2003

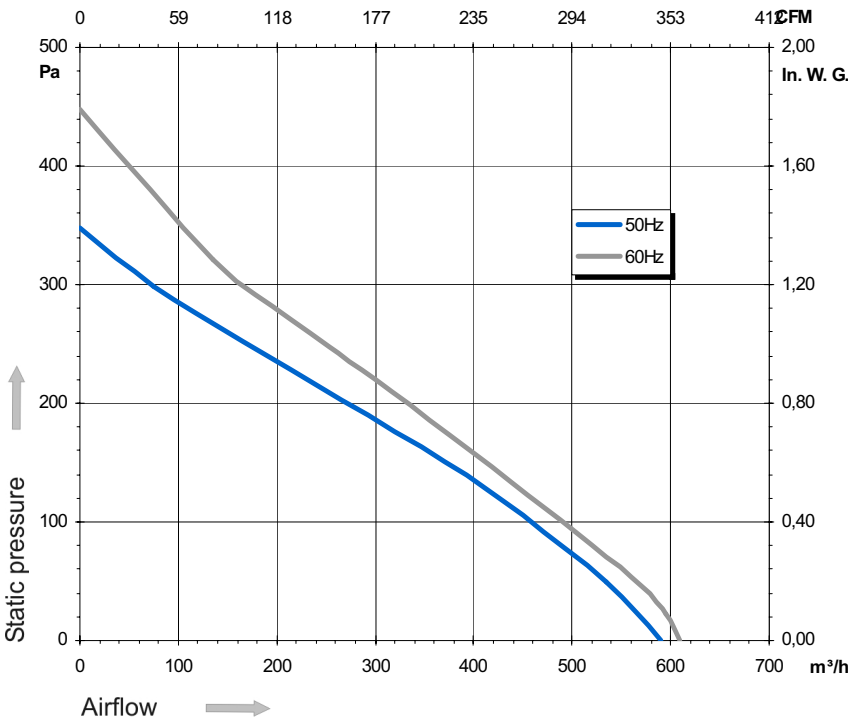
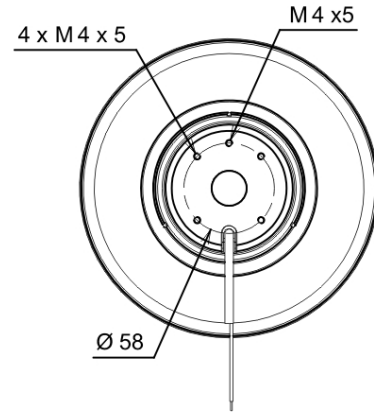
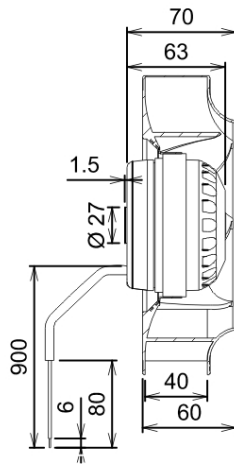
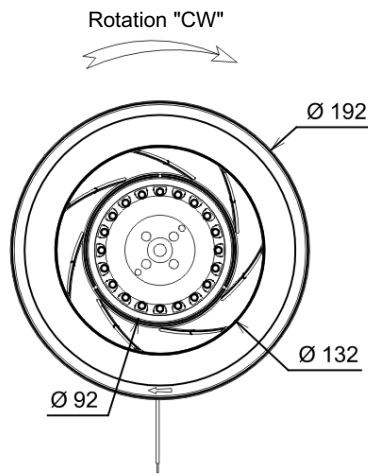
2RRE15 192x40R

P/N B47-A1

Substitute for I06-18

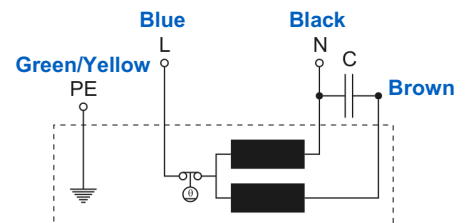


Voltage	Frequency	Input power	Current	Capacitor	Airflow	Speed rotation	Noise level	Rotation direction	Operating temperature
V	Hz	Wa	A	µF	m³/h	RPM	dBA	↻	Min / Max
230	50	62	0,29	2,0	590	2 500	59	R	-20°C / +70°C
230	60	78	0,34	2,0	610	2 760	61	R	-20°C / +70°C



- Ball bearing
- Class F, thermally protected
- IP54 protection
- G2.5 balancing
- Rotor : black paint
- PP plastic impeller

Capacitor for 50Hz	Capacitor for 60Hz	Inlet cone	Zinc Coated
19008-0	19008-0	16043-a	21181-a



Non contractual document. All specifications are subject to change without prior notice. Picture for information only.