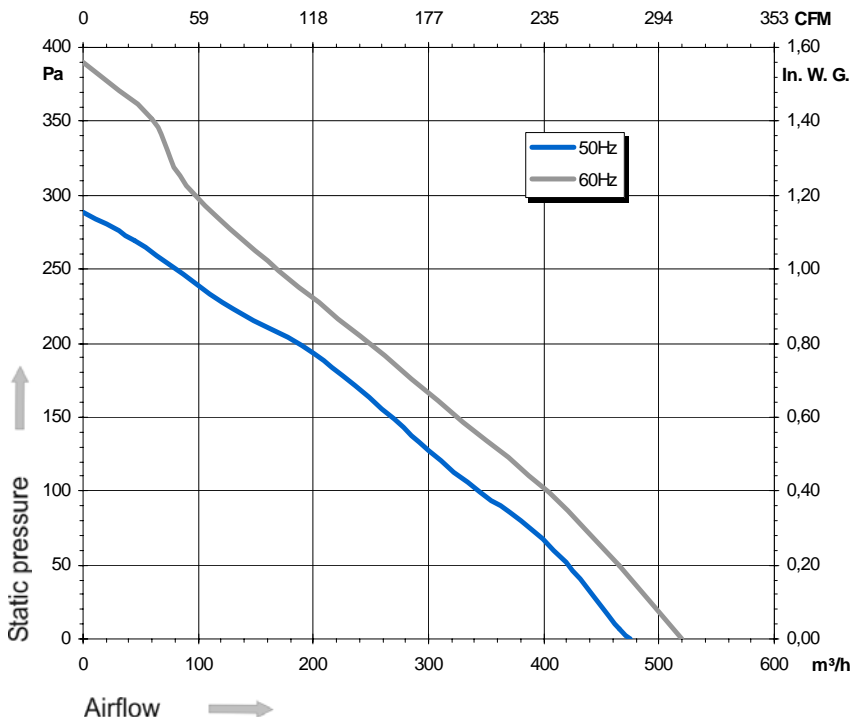
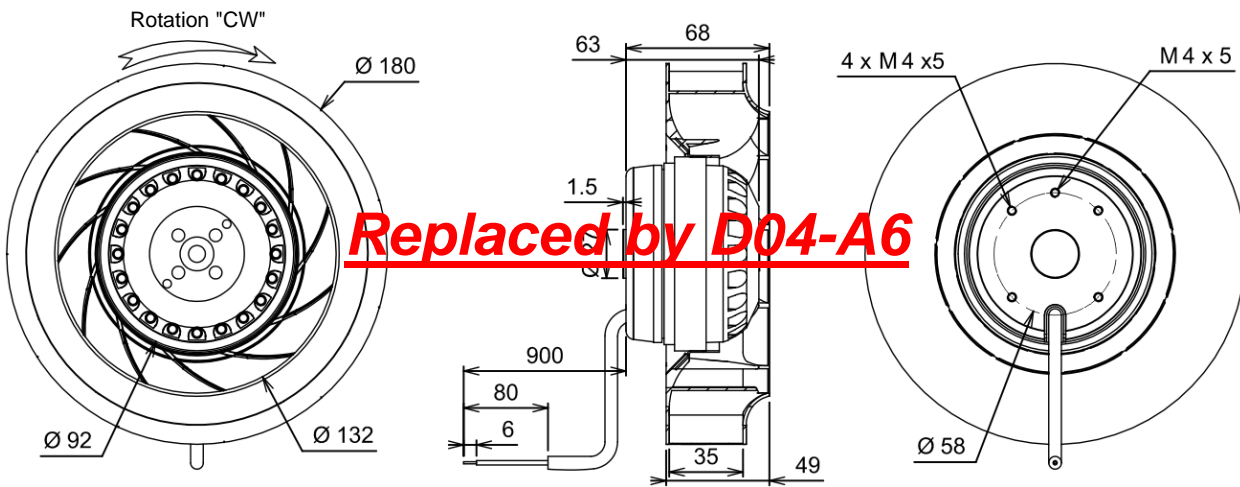


Ind. 0 - Revision : 07-2003

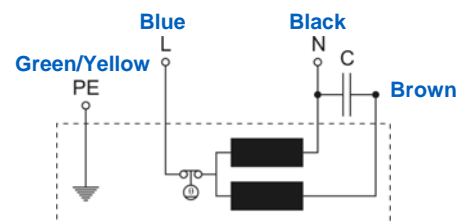
2RRE15 180x35R P/N A04-A7

Voltage	Frequency	Input power	Current	Capacitor	Airflow	Speed rotation	Noise level	Rotation direction	Operating temperature
V	Hz	Wa	A	µF	m³/h	RPM	dBA	↻	Min / Max
230	50	58	0,26	2,0	475	2 670	64	R	-20°C / +70°C
230	60	61	0,27	1,5	520	2 925	66	R	-20°C / +70°C



- Ball bearing
- Class F, thermally protected
- IP44 protection
- G2.5 balancing
- Rotor : black paint
- PP plastic impeller

Capacitor for 50Hz	Capacitor for 60Hz	Zinc Coated	Inlet cone
19008-0	19005-0	21181-a	16043-a



Non contractual document. All specifications are subject to change without prior notice. Picture for information only.