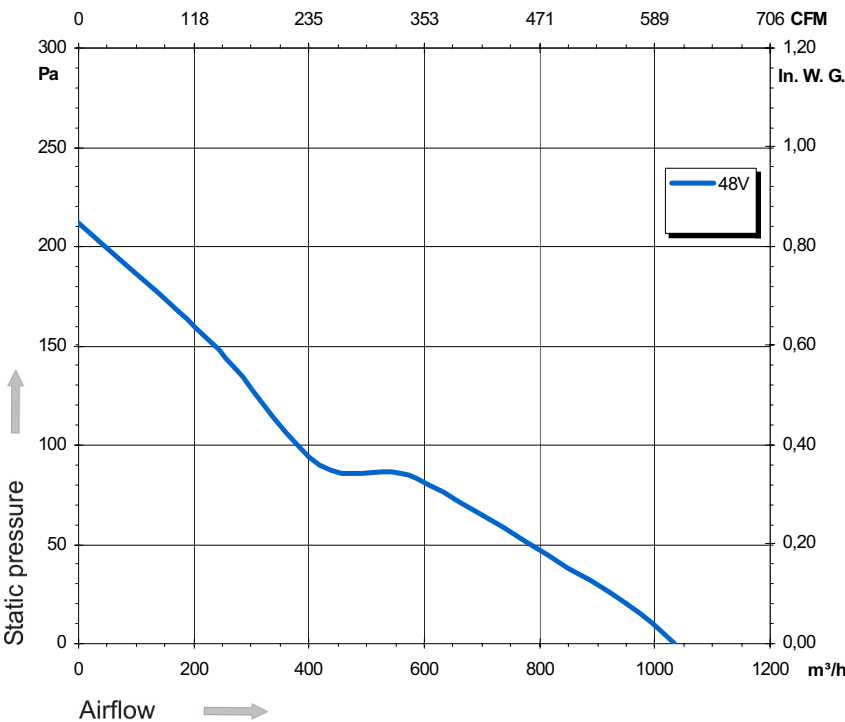
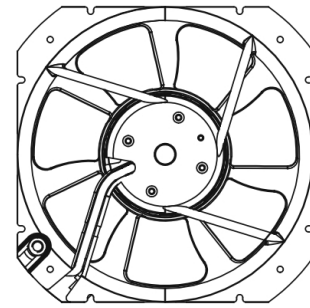
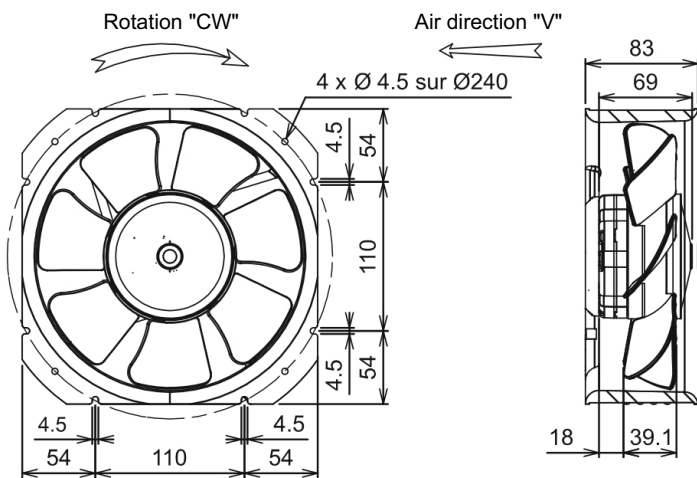


Ind. a - Revision : 01-2004

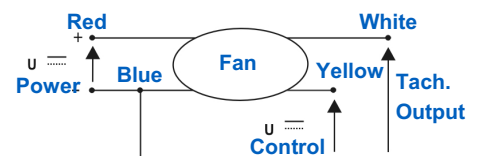
VGC48 200V P/N C49-A6



Voltage	Frequency	Input power	Current	Capacitor	Airflow	Speed rotation	Noise level	Rotation direction	Operating temperature
V	Hz	Wa	A	µF	m³/h	RPM	dBA	↻	Min / Max
48	-	59	1,22	-	1 035	2 805	67	R	-20°C / +70°C



- Nominal voltage 48VDC (36-60VDC)
- Reverse polarity protection
- Soft start
- Locked rotor protection
- Tachometer output (open collector)
- Controlled by 0-10VDC or PWM signal
- IP44 protection
- Aluminium ring
- G6.3 balancing
- Plastic impeller
- Connexion block fixed on ring



Non contractual document. All specifications are subject to change without prior notice. Picture for information only.